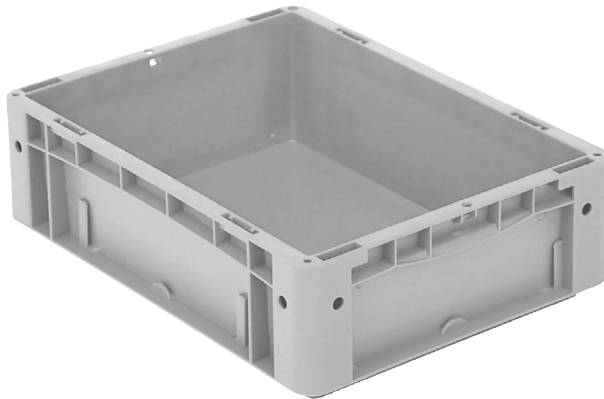
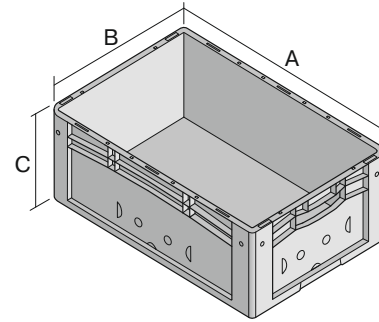


# European size stacking containers XL, standard version

## XL43121 | Data sheet



Pos.	Dimensions, Tolerances as specified in DIN 16901	
A	Outside length top	400 mm
B	Outside width top	300 mm
C	Height	120 mm

Features	*Load capacity as specified in EN 13117
Proper weight	0.84 kg
*Stacking load	250 kg
*Load capacity	30 kg
Volume	9.8 Litres
Warranty	5 year BITO QUALITY
ESD	ESD version upon request
Temperature range	-20°C to +90°C
Food safety	✓
Material	PP
Stock item	✓
Pcs/pack	1
Colour	grey
Ref. no.	43-15307

Dimensions, Tolerances as specified in DIN 16901	
Outside length top	400 mm
Outside width top	300 mm
Height	120 mm
Inside length top	368 mm
Inside width top	268 mm
Inside length base	359 mm
Inside width base	259 mm
Inside height	117 mm

Other colours / special colours on request

Printed message	
Pad printing area on long side	10 x 230 mm
Hot foil printing area on short side (front)	10 x 230 mm
Hot foil printing area on short side (rear)	10 x 230 mm
Hot foil printing area on long side	10 x 230 mm
Injection mold printing area on long side	25 x 135 mm



# European size stacking containers XL, standard version

## XL43121 | Accessories



### Covers for palletised containers

L 1220 x W 820 mm

**9-18421**



### Drop-on lids

for European size stacking  
containers XL

L 400 x W 300 mm

**43-20303**