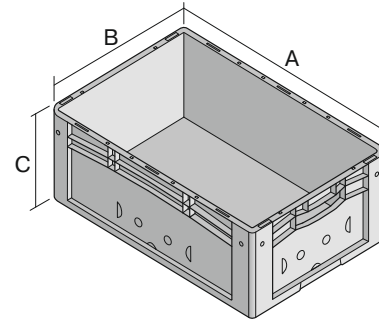
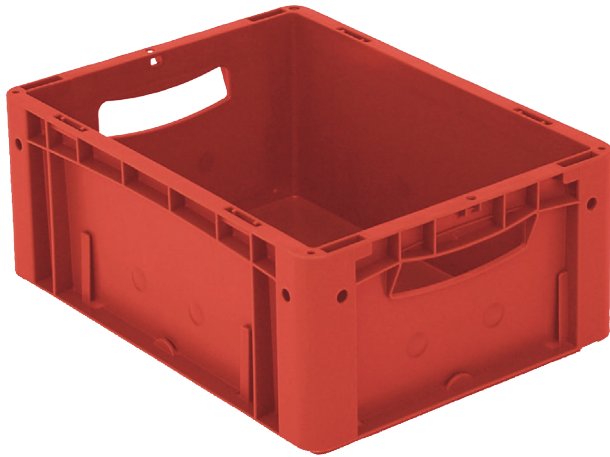


European size stacking containers XL, standard version

XL43171 | Data sheet



Pos.	Dimensions, Tolerances as specified in DIN 16901	
A	Outside length top	400 mm
B	Outside width top	300 mm
C	Height	170 mm

Features	*Load capacity as specified in EN 13117
Proper weight	1.03 kg
*Stacking load	250 kg
*Load capacity	30 kg
Volume	15 Litres
Warranty	5 year BITO QUALITY
ESD	ESD version upon request
Temperature range	-20°C to +90°C
Food safety	✓
Material	PP
Stock item	✓
Pcs/pack	1
Colour	red
Ref. no.	43-14506

Dimensions, Tolerances as specified in DIN 16901	
Outside length top	400 mm
Outside width top	300 mm
Height	170 mm
Inside length top	368 mm
Inside width top	268 mm
Inside length base	359 mm
Inside width base	259 mm
Inside height	167 mm

Other colours / special colours on request

Printed message	
Pad printing area on long side	30 x 230 mm
Hot foil printing area on long side	30 x 230 mm
Injection mold printing area on long side	25 x 135 mm



XL43171 | Accessories



Covers for palletised containers

L 1220 x W 820 mm

9-18421

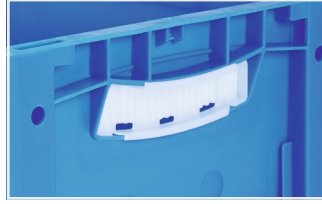


Drop-on lids

for European size stacking
containers XL

L 400 x W 300 mm

43-20303



Grip closures

suited for bins with a height of 170,
220 and 270 mm

43-31450