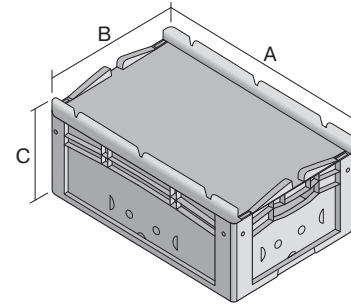


# European size stacking containers XL, with one-piece hinged lid

## XLD21121 | Data sheet



Pos. Dimensions, tolerances as specified in DIN 16901

Pos.	Dimensions, tolerances as specified in DIN 16901	
A	Outside length top	200 mm
B	Outside width top	150 mm
C	Height	138 mm

### Product features

Weight	0.40 kg
*Load capacity	10 kg
Volume	1.6 litres
Warranty	5 year BITO QUALITY
ESD	ESD version upon request
Temperature range	-20°C to +80°C
Food safety	✓
Material	PP
Stock item	✓
Pcs/pack	1
colour	blue
Ref. no.	43-14294

Other colours / special colours on request

All written or verbal information about product properties and product application are given to the best of our knowledge. This information is based on our experience and cannot be warranted as the sole binding product properties. It is the customer's responsibility to check whether the ordered goods are suitable for the intended use. All measurements are subject to variations within the scope of the applicable manufacturing tolerances.

\* Load capacity data according to EN 13117 refer to an ambient temperature of 23 °C.

### Dimensions, tolerances as specified in DIN 16901

Outside length top	200 mm
Outside width top	150 mm
Height	138 mm
Inside length top	168 mm
Inside width top	118 mm
Inside length base	126 mm
Inside width base	106 mm
Inside height	117 mm

### Printed message

Pad printing area on short side (front)	40 x 70 mm
Pad printing area on short side (rear)	40 x 70 mm
Hot foil printing area on short side (front)	40 x 70 mm
Hot foil printing area on long side	40 x 70 mm
Injection mold printing area on long side	20 x 105 mm

Information & Service  
[www.bitocom](http://www.bitocom)

**BITO**  
 STORAGE  
 SYSTEMS

European size stacking containers XL, with one-piece hinged lid

## **XLD21121** | Accessories



**Covers for palletised loads**

L 1220 x W 820 mm

**9-18421**

Information & Service  
[www.bito.com](http://www.bito.com)

**BITO**  
S T O R A G E  
S Y S T E M S