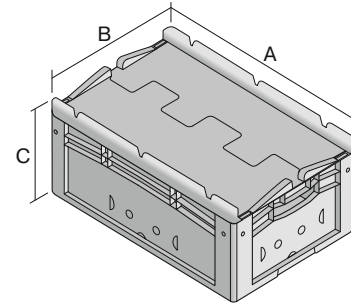


European size stacking containers XL with double base, with hinged two-part lid XLD64121D | Data sheet



Pos. Dimensions, Tolerances as specified in DIN 16901

Pos.	Dimensions, Tolerances as specified in DIN 16901	
A	Outside length top	600 mm
B	Outside width top	400 mm
C	Height	138 mm

Features	*Load capacity as specified in EN 13117
Proper weight	2.90 kg
*Stacking load	300 kg
*Load capacity	100 kg
Volume	19 Litres
Warranty	5 year BITO QUALITY
ESD	ESD version upon request
Temperature range	-20°C to +60°C
Food safety	-
Material	PP
Stock item	-
Pcs/pack	1
Colour	blue
Ref. no.	43-14300

Other colours / special colours on request

Dimensions, Tolerances as specified in DIN 16901	
Outside length top	600 mm
Outside width top	400 mm
Height	138 mm
Inside length top	568 mm
Inside width top	368 mm
Inside length base	559 mm
Inside width base	359 mm
Inside height	102 mm

Information & Service
www.bitto.com

BITO
STORAGE
SYSTEMS

European size stacking containers XL with double base, with hinged two-part lid **XLD64121D** | Accessories



Security seals

for European size stacking containers XL
and small parts containers KLT
9-16271



Covers for palletised containers

L 1220 x W 820 mm
9-18421



Transport dolly

rubber wheels
L 620 x W 420 mm
43-21883