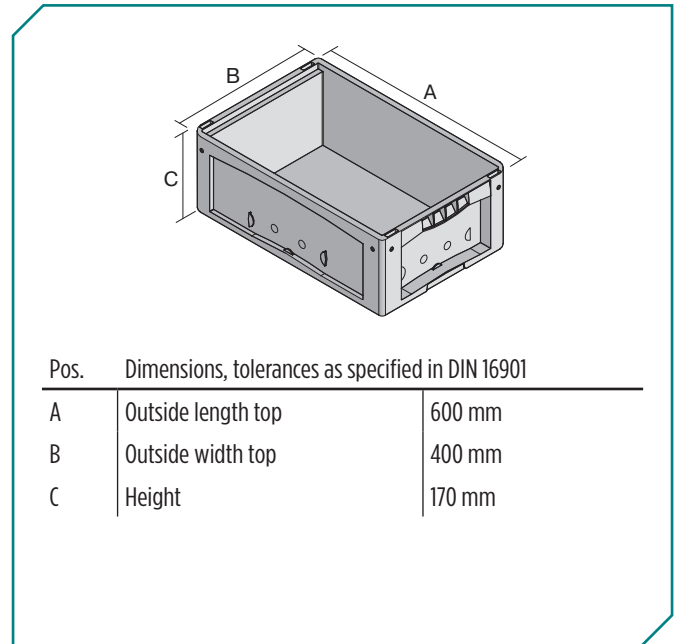


Small parts containers KLT

KLT64170 | Data sheet



Product features	*Load capacity as specified in EN 13117
Weight	2.05 kg
*Stacking load	500 kg
*Load capacity	30 kg
Volume	29 litres
Warranty	5 year BITO QUALITY
ESD	ESD version upon request
Temperature range	-20°C to +80°C
Food safety	✓
Material	PP
Stock item	✓
Pcs/pack	1
colour	turquoise
Ref. no.	9-16805

Other colours / special colours on request

Dimensions, tolerances as specified in DIN 16901	
Outside length top	600 mm
Outside width top	400 mm
Height	170 mm
Inside length top	541 mm
Inside width top	368 mm
Inside height	166 mm

Information & Service
www.bito.com

BITO
 STORAGE
 SYSTEMS

Small parts containers KLT

KLT64170 | Accessories



Sides with bag holder notches
demountable
6-31553



Labels
suited for BITOBOX XL and KLT with a
height of at least 170 mm
W 210 x H 74 mm
43-14557



Slot-in divider strips
Material thickness 5 mm
L 1150 x H 50 mm
43-18417



Covers for palletised loads
L 1220 x W 820 mm
9-18421



Label covers
for European size stacking containers
XL and small parts containers KLT
W 209 x H 67 mm
9-20053



Label covers
for small parts containers KLT
for European size stacking containers XL
firm fit
W 218 x H 80 mm
9-20054



Drop-on lids
for small parts containers KLT
L 600 x W 400 mm
43-20497



Drop-on lids
hinge-clipped on one side
already fitted to KLT container
L 600 x W 400 mm
43-21523



Transport dollies
rubber wheels
L 620 x W 420 mm
43-21883



Document pockets
self-adhesive
3 sides open
L 175 x W 105 mm
6-5031