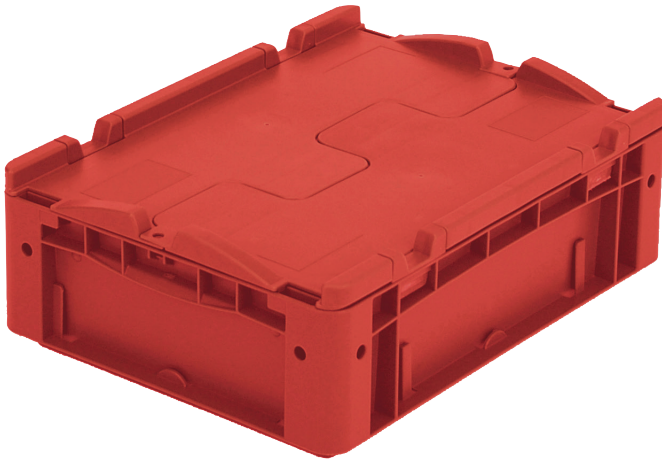


European size stacking containers XL, with hinged two-part lid

XLD43121 | Data sheet



Pos. Dimensions, tolerances as specified in DIN 16901

Pos.	Dimensions, tolerances as specified in DIN 16901	
A	Outside length top	400 mm
B	Outside width top	300 mm
C	Height	138 mm

Product features

Weight	1.32 kg
*Stacking load	250 kg
*Load capacity	30 kg
Volume	10 litres
Warranty	5 year BITO QUALITY
ESD	ESD version upon request
Temperature range	-20°C to +80°C
Food safety	✓
Material	PP
Stock item	✓
Pcs/pack	1
colour	red
Ref. no.	43-19879

Other colours / special colours on request

All written or verbal information about product properties and product application are given to the best of our knowledge. This information is based on our experience and cannot be warranted as the sole binding product properties. It is the customer's responsibility to check whether the ordered goods are suitable for the intended use. All measurements are subject to variations within the scope of the applicable manufacturing tolerances.

* Load capacity data according to EN 13117 refer to an ambient temperature of 23 °C.

Dimensions, tolerances as specified in DIN 16901

Outside length top	400 mm
Outside width top	300 mm
Height	138 mm
Inside length top	368 mm
Inside width top	268 mm
Inside length base	359 mm
Inside width base	259 mm
Inside height	117 mm

Printed message

Pad printing area on long side	10 x 230 mm
Hot foil printing area on long side	10 x 230 mm
Injection mold printing area on long side	25 x 135 mm

Information & Service
www.bitto.com

BITO
 STORAGE
 SYSTEMS

European size stacking containers XL, with hinged two-part lid **XLD43121** | Accessories



Security seals

for European size stacking containers XL
and small parts containers KLT
9-16271



Covers for palletised loads

L 1220 x W 820 mm
9-18421



Drop-on lids

for European size stacking containers XL
L 400 x W 300 mm
43-20303