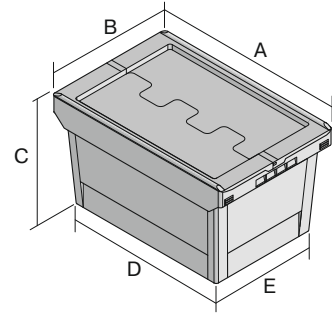


Multi-purpose containers MB with double base, with rubber tyred swivel castors and hinged two-part lid

## MBD86421DROLL-G | Data sheet



Pos. Dimensions, tolerances as specified in DIN 16901

A	Outside length top	800 mm
B	Outside width top	600 mm
C	Height	553 mm

Product features	*Load capacity as specified in EN 13117
Proper weight	10.66 kg
*Stacking load	200 kg
*Load capacity	50 kg
Volume	151 Litres
Warranty	5 year BITO QUALITY
ESD	ESD version upon request
Temperature range	-20°C to +90°C
Food safety	✓
Material	PP
Stock item	-
Pcs/pack	1
Colour	dove blue
Ref. no.	6-19490

Other colours / special colours on request

Dimensions, tolerances as specified in DIN 16901	
Outside length top	800 mm
Outside width top	600 mm
Height	553 mm

Information & Service  
[www.bitto.com](http://www.bitto.com)

**BITO**  
STORAGE  
SYSTEMS

Multi-purpose containers MB with double base, with rubber tyred swivel castors and hinged two-part lid

## MBD8642IDROLL-G | Accessories



**Label covers**  
for multi-purpose containers MB  
W 60 x H 80.4 mm  
**6-15244**



**Connector clips**  
**6-15625**



**Transport dolly**  
for multi-purpose containers sized  
800 x 400 mm and 800 x 600 mm  
L 720 x W 540 mm  
**6-19439**



**Document pockets**  
self-adhesive  
2 sides open  
L 145 x W 100 mm  
**46-21108**



**Document pockets**  
self-adhesive  
3 sides open  
L 175 x W 105 mm  
**6-5031**

Information & Service  
[www.bito.com](http://www.bito.com)

**BITO**  
S T O R A G E  
S Y S T E M S