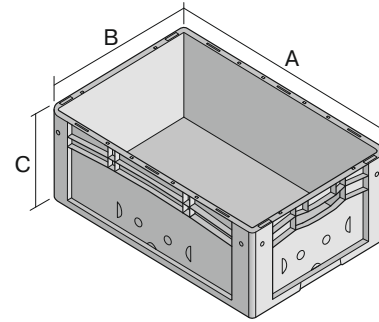


# European size stacking containers XL, with perforated base and solid sides

## XL64123 | Data sheet



| Pos. | Dimensions, Tolerances as specified in DIN 16901 |        |
|------|--|--------|
| A    | Outside length top                               | 600 mm |
| B    | Outside width top                                | 400 mm |
| C    | Height   | 120 mm |

| Features          | *Load capacity as specified in EN 13117 |
|-------------------|---|
| Proper weight     | 1.46 kg                                 |
| *Stacking load    | 300 kg                                  |
| *Load capacity    | 35 kg                                   |
| Volume            | 18 Litres                               |
| Warranty          | 5 year BITO QUALITY                     |
| ESD               | ESD version upon request                |
| Temperature range | -20°C to +90°C                          |
| Food safety       | ✓                                       |
| Material          | PP                                      |
| Stock item        | ✓                                       |
| Pcs/pack          | 1                                       |
| Colour            | blue                                    |
| Ref. no.          | 43-18477                                |

| Dimensions, Tolerances as specified in DIN 16901 |        |
|--|--------|
| Outside length top                               | 600 mm |
| Outside width top                                | 400 mm |
| Height   | 120 mm |
| Inside length top                                | 568 mm |
| Inside width top                                 | 368 mm |
| Inside length base                               | 559 mm |
| Inside width base                                | 359 mm |
| Inside height                                    | 102 mm |

Other colours / special colours on request

| Printed message                           |             |
|---|-------------|
| Injection mold printing area on long side | 25 x 130 mm |

# European size stacking containers XL, with perforated base and solid sides

## XL64123 | Accessories



**Covers for palletised containers**  
L 1220 x W 820 mm  
**9-18421**



**Drop-on lids**  
for European size stacking  
containers XL  
L 600 x W 400 mm  
**43-20301**



**Drop-on lids**  
for European size stacking  
containers XL  
L 600 x W 400 mm  
**43-20494**



**Transport dolly**  
rubber wheels  
L 620 x W 420 mm  
**43-21883**