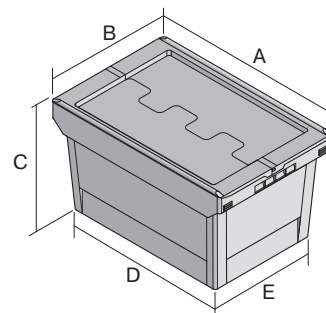


Multi-purpose containers MB with double base, PVC castors and hinged interlocking lid MBD86321DROLL-K | Data sheet



Pos. Dimensions, tolerances as specified in DIN 16901

A	Outside length top	800 mm
B	Outside width top	600 mm
C	Height	453 mm

Product features *Load capacity as specified in EN 13117

Weight	9.04 kg
*Stacking load	200 kg
*Load capacity	50 kg
Volume	114 litres
Warranty	5 year BITO QUALITY
ESD	No
Temperature range	-20°C to +90°C
Food safety	✓
Material	PP
Stock item	✓
Pcs/pack	1
colour	dove blue
Ref. no.	6-19487

Other colours / special colours on request

Dimensions, tolerances as specified in DIN 16901

Outside length top	800 mm
Outside width top	600 mm
Height	453 mm

Information & Service
www.bitto.com

BITO
STORAGE
SYSTEMS

Multi-purpose containers MB with double base, PVC castors and hinged interlocking lid MBD86321DROLL-K | Accessories



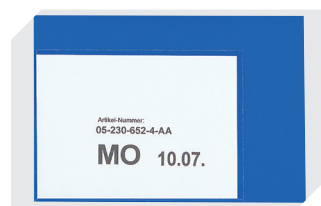
Label covers
for multi-purpose containers MB
W 60 x H 80.4 mm
6-15244



Connector clips
6-15625



Transport dolly
for multi-purpose containers sized
800 x 400 mm and 800 x 600 mm
L 720 x W 540 mm
6-19439



Document pockets
self-adhesive
2 sides open
L 145 x W 100 mm
46-21108



Document pockets
self-adhesive
3 sides open
L 175 x W 105 mm
6-5031