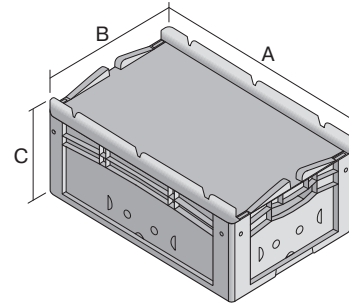
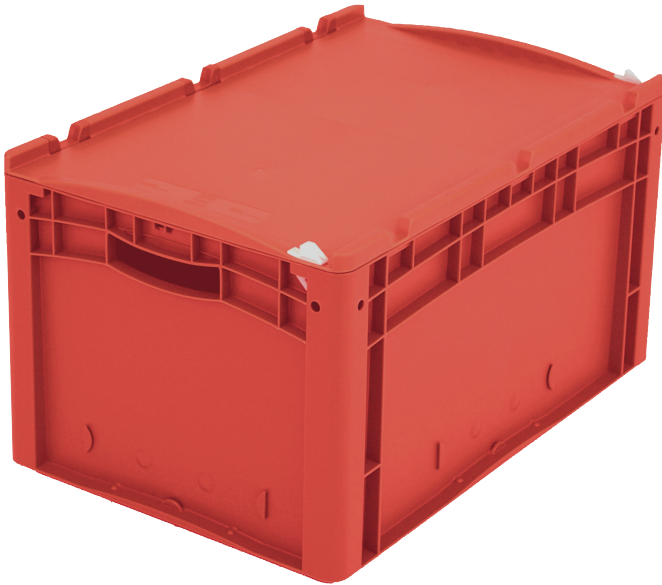


European size stacking containers XL, hinged on one side and closed with 2 snap-on fixtures on the other side

XL64321ASDV | Data sheet



Pos. Dimensions, tolerances as specified in DIN 16901

Pos.	Dimensions, tolerances as specified in DIN 16901	
A	Outside length top	600 mm
B	Outside width top	400 mm
C	Height	338 mm

Product features	*Load capacity as specified in EN 13117
Weight	3.50 kg
*Stacking load	300 kg
*Load capacity	20 kg
Volume	61 litres
Warranty	5 year BITO QUALITY
ESD	ESD version upon request
Temperature range	-20°C to +90°C
Food safety	✓
Material	PP
Stock item	✓
Pcs/pack	1
colour	red
Ref. no.	43-22265

Other colours / special colours on request

Dimensions, tolerances as specified in DIN 16901	
Outside length top	600 mm
Outside width top	400 mm
Height	338 mm
Inside length top	568 mm
Inside width top	368 mm
Inside length base	559 mm
Inside width base	359 mm
Inside height	316 mm

Printed message

Pad printing area on short side (front)	100 x 250 mm
Pad printing area on short side (rear)	100 x 250 mm
Pad printing area on long side	100 x 250 mm
Hot foil printing area on short side (front)	100 x 250 mm
Hot foil printing area on short side (rear)	100 x 250 mm
Hot foil printing area on long side	100 x 250 mm
Injection mold printing area on long side	25 x 100 mm

Information & Service
www.bitto.com

BITO
LAGERTECHNIK

European size stacking containers XL, hinged on one side and closed with 2 snap-on fixtures on the other side

XL64321ASDV | Accessories



Covers for palletised loads

L 1220 x W 820 mm

9-18421



Transport dolly

rubber wheels

L 620 x W 420 mm

43-21883



Grip closures

for European size stacking containers XL
with a height of 320 and 420 mm

43-31448