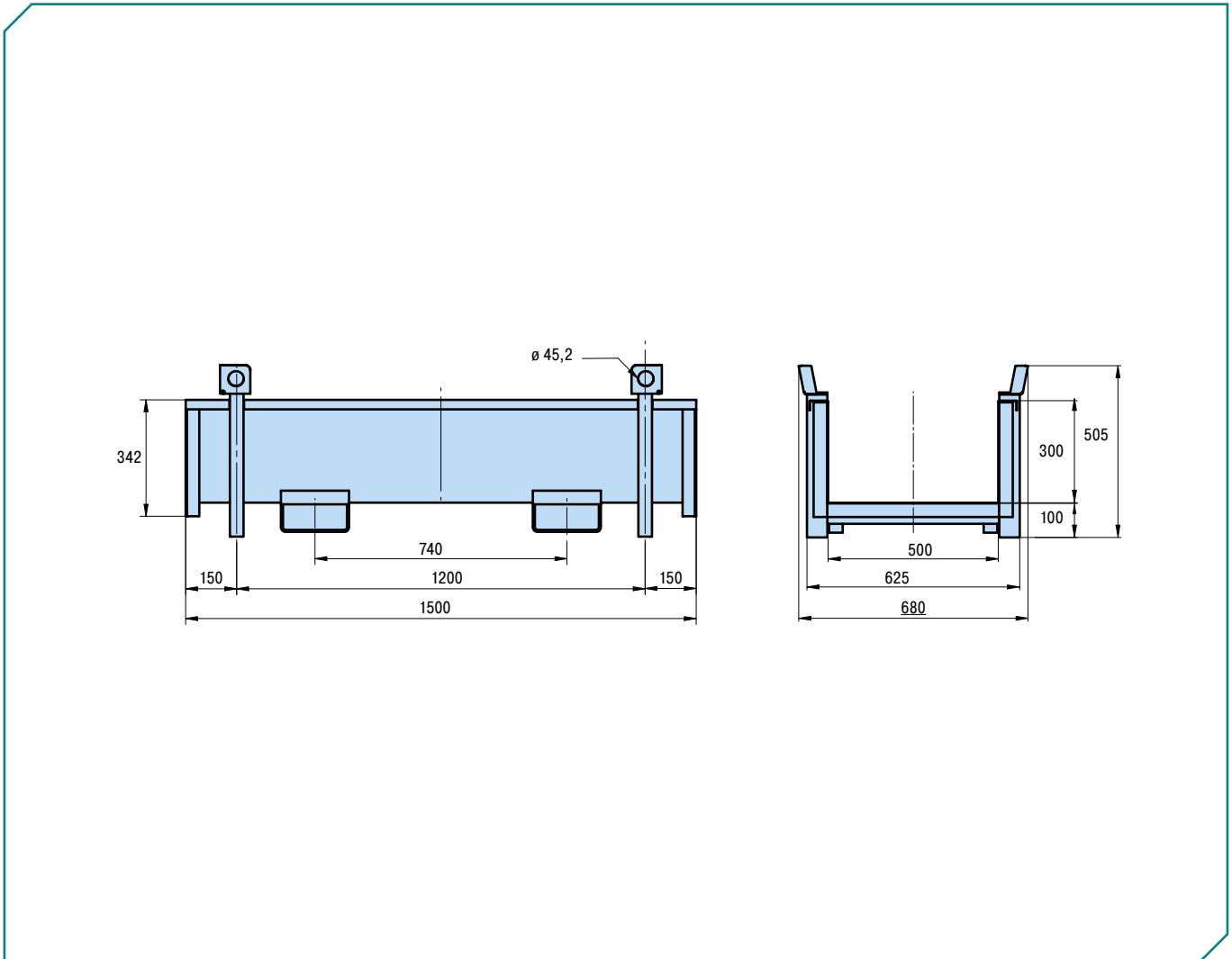
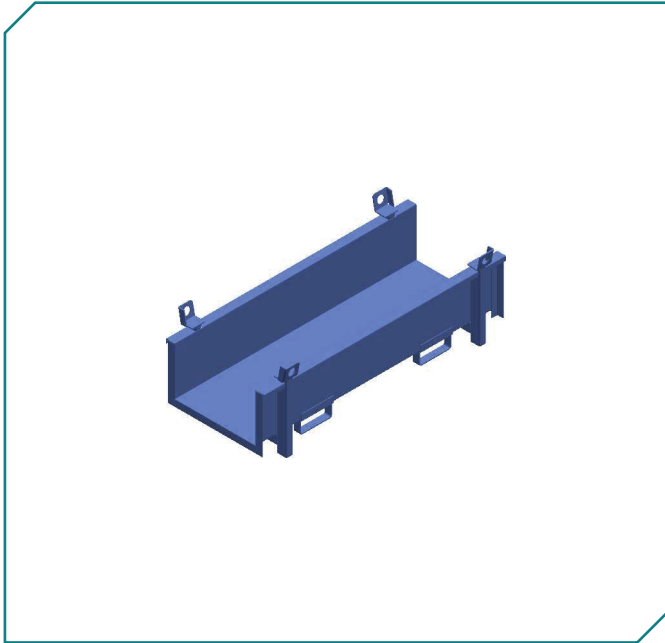


Langgutkassette

1500 | Datenblatt



Information & Service
www.bitto.com

