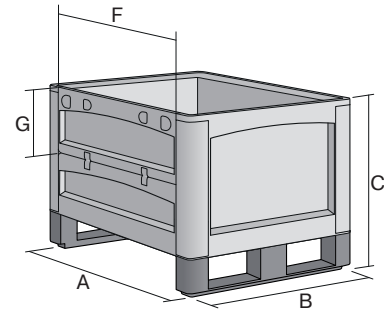


Heavy duty containers SL, with half-drop door on the long side

SLK86626K | Data sheet



Pos. Dimensions, tolerances as specified in DIN 16901

Pos.	Dimensions, tolerances as specified in DIN 16901	
A	Outside length top	800 mm
B	Outside width top	600 mm
C	Height	720 mm

Product features	*Load capacity as specified in EN 13117
Weight	19.51 kg
*Stacking load	1500 kg
*Load capacity	500 kg
Volume	223 litres
Drainage holes	upon request
Warranty	5 year BITO QUALITY
ESD	No
Food safety	✓
Material	PP

Other colours / special colours on request

Dimensions, tolerances as specified in DIN 16901	
Outside length top	800 mm
Outside width top	600 mm
Height	720 mm
Inside length top	739 mm
Inside width top	539 mm
Inside length base	725 mm
Inside width base	525 mm
Inside height	573 mm
Stacking height	2880 mm
Label dimensions L x W	210 x 60 mm

Printed message	
Pad printing area on short side (front)	250 x 100 mm
Pad printing area on long side	250 x 100 mm
Screen printing area on short side	260 x 100 mm
Screen printing area on long side	460 x 100 mm
Hot foil printing area on short side (front)	250 x 100 mm
Hot foil printing area on long side	250 x 100 mm

Information & Service
www.bito.com

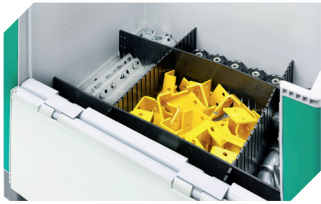
BITO
 LAGERTECHNIK

Heavy duty containers SL, with half-drop door on the long side

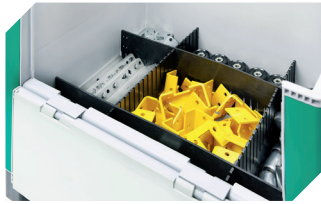
SLK86626K | Accessories



Non-slip grip matting
for heavy duty containers SL
L 720 x W 520 x H 8 mm
52-30380



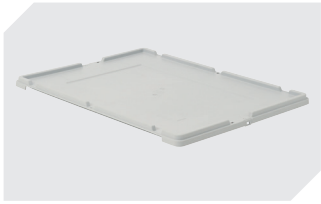
Slot-in divider strips
crosswise
L 524 x W 5 x H 180 mm
52-30384



Slot-in divider strips
lengthwise
L 724 x W 5 x H 180 mm
52-30385



Label holders
W 240 x H 80 mm
52-30386



Drop-on lid
L 800 x W 600 mm
52-30500



Document pockets
self-adhesive
3 sides open
L 175 x W 105 mm
6-5031

Information & Service
www.bito.com

BITO
LAGERTECHNIK