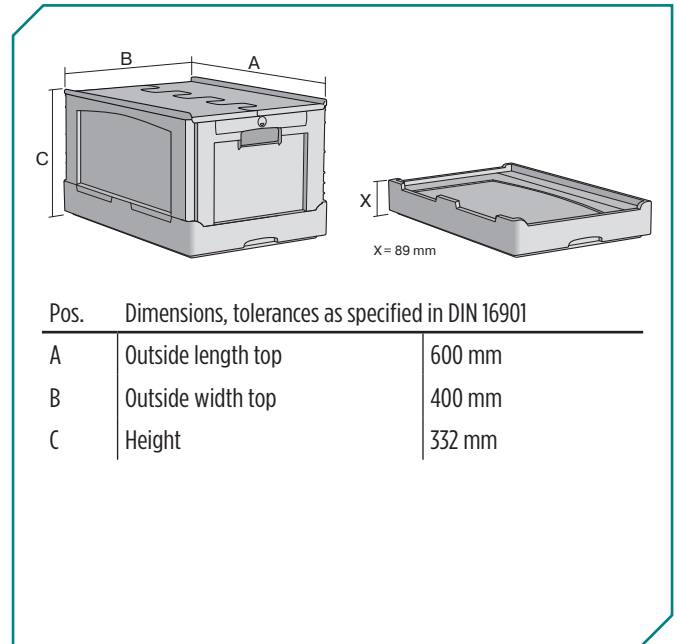
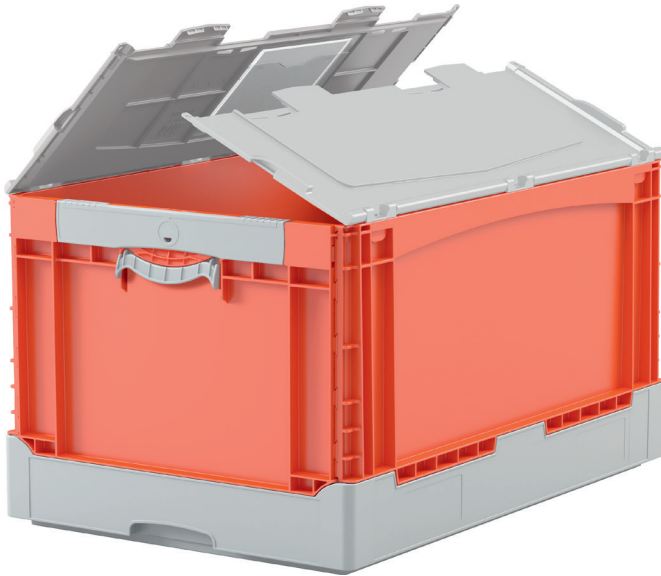


Folding boxes EQ - with fold-up handles, with standard base and hinged two-part lid EQD64321L | Data sheet



| Product features | *Load capacity as specified in EN 13117 |
|-------------------|---|
| Weight | 3.18 kg |
| *Stacking load | 180 kg |
| *Load capacity | 20 kg |
| Volume | 64 litres |
| Warranty | 5 year BITO QUALITY |
| ESD | No |
| Temperature range | -20°C to +80°C |
| Food safety | ✓ |
| Material | PP |
| Stock item | - |
| Pcs/pack | 1 |
| colour | orange/grey |
| Ref. no. | 51-31459 |

Other colours / special colours on request

| Dimensions, tolerances as specified in DIN 16901 | |
|--|--------|
| Outside length top | 600 mm |
| Outside width top | 400 mm |
| Height | 332 mm |
| Inside length top | 568 mm |
| Inside width top | 368 mm |
| Inside length base | 557 mm |
| Inside width base | 357 mm |
| Inside height | 310 mm |

Information & Service
www.bito.com

BITO
STORAGE
SYSTEMS

Folding boxes EQ - with fold-up handles, with standard base and hinged two-part lid

EQD64321L | Accessories



Transport dollies
polypropylene wheels
L 620 x W 420 mm
43-1491



Security seals with laser marking
suited for BITO folding boxes EQ
51-31666



Document pockets
self-adhesive
3 sides open
L 175 x W 105 mm
6-5031