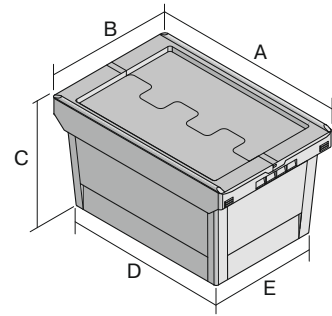


Multi-purpose containers MB, with hinged interlocking lid suited for strap-sealing

MBDU43171 | Data sheet



Pos. Dimensions, tolerances as specified in DIN 16901

| Pos. | Dimensions, tolerances as specified in DIN 16901 | |
|------|--|--------|
| A | Outside length top | 410 mm |
| B | Outside width top | 300 mm |
| C | Height | 199 mm |
| D | Base length outside | 318 mm |
| E | Base width outside | 240 mm |

| Product features | *Load capacity as specified in EN 13117 |
|-------------------|---|
| Proper weight | 1.38 kg |
| *Stacking load | 150 kg |
| *Load capacity | 14 kg |
| Volume | 13 Litres |
| Warranty | 5 year BITO QUALITY |
| ESD | ESD version upon request |
| Temperature range | -20°C to +90°C |
| Food safety | ✓ |
| Material | PP |
| Stock item | ✓ |
| Pcs/pack | 1 |
| Colour | dove blue |
| Ref. no. | 6-30314 |

Other colours / special colours on request

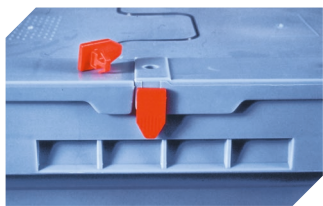
| Dimensions, tolerances as specified in DIN 16901 | |
|--|--------|
| Outside length top | 410 mm |
| Outside width top | 300 mm |
| Height | 199 mm |
| Inside length top | 313 mm |
| Inside width top | 235 mm |

Information & Service
www.bitto.com

BITO
 STORAGE
 SYSTEMS

Multi-purpose containers MB, with hinged interlocking lid suited for strap-sealing

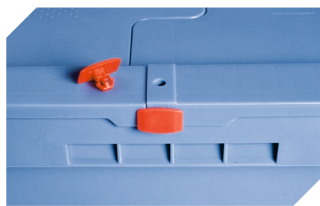
MBDU43171 | Accessories



Security seals
MBP1 - suited for BITOBOX MB
6-10810



Connector clips
6-15625



Security seals
MBP2 - suited for BITOBOX MB
6-15705



Security seals
MBP2-N - suited for BITOBOX MB,
XL, SL
6-19162



Locking clips
suited for BITOBOX MB
6-20299



Document pockets
self-adhesive
2 sides open
L 145 x W 100 mm
46-21108



Barcoded security seals
MBP3 - suited for BITOBOX MB and XL
800 x 600 mm
6-31550



Document pockets
self-adhesive
3 sides open
L 175 x W 105 mm
6-5031