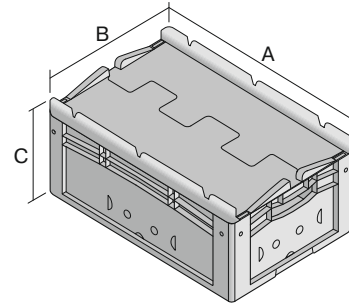
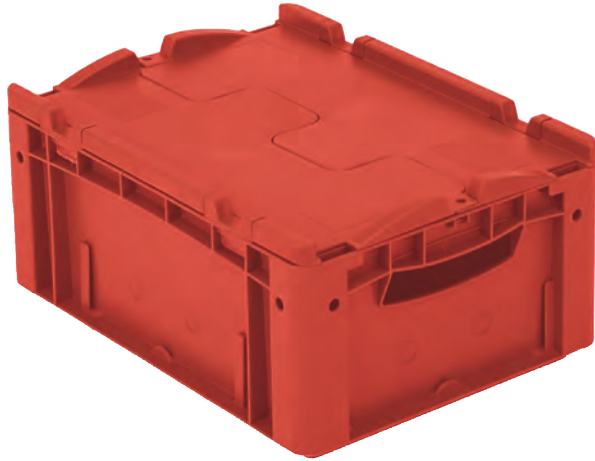


European size stacking containers XL, with hinged two-part lid

XLD43171 | Data sheet



Pos. Dimensions, Tolerances as specified in DIN 16901

A	Outside length top	400 mm
B	Outside width top	300 mm
C	Height	188 mm

Features	*Load capacity as specified in EN 13117
Proper weight	1.51 kg
*Stacking load	250 kg
*Load capacity	30 kg
Volume	15 Litres
Warranty	5 year BITO QUALITY
ESD	ESD version upon request
Temperature range	-20°C to +90°C
Food safety	✓
Material	PP
Stock item	✓
Pcs/pack	1
Colour	red
Ref. no.	43-14514

Other colours / special colours on request

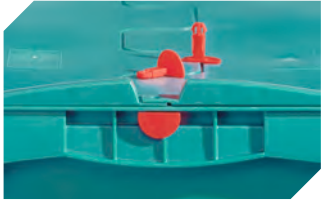
Dimensions, Tolerances as specified in DIN 16901	
Outside length top	400 mm
Outside width top	300 mm
Height	188 mm
Inside length top	368 mm
Inside width top	268 mm
Inside length base	359 mm
Inside width base	259 mm
Inside height	167 mm
Printed message	
Pad printing area on long side	30 x 230 mm
Hot foil printing area on long side	30 x 230 mm
Injection mold printing area on long side	25 x 135 mm

Information & Service
www.bitto.com

BITO
 STORAGE
 SYSTEMS

European size stacking containers XL, with hinged two-part lid

XLD43171 | Accessories



Security seals

for European size stacking containers XL
and small parts containers KLT
9-16271



Covers for palletised containers

L 1220 x W 820 mm
9-18421



Drop-on lids

for European size stacking containers XL
L 400 x W 300 mm
43-20303



Drop-on lids

for European size stacking containers XL
L 400 x W 300 mm
43-20498



Grip closures

suited for bins with a height of 170,
220 and 270 mm
43-31450

Information & Service
www.bitto.com

BITO
S T O R A G E
S Y S T E M S