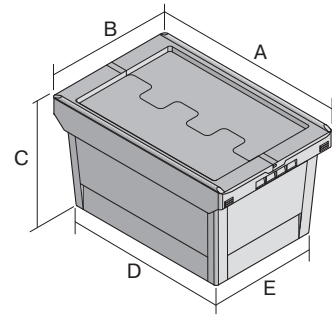


Multi-purpose containers MB, with hinged two-part lid

MBD64321 | Data sheet



Pos. Dimensions, tolerances as specified in DIN 16901

Pos.	Dimensions, tolerances as specified in DIN 16901	
A	Outside length top	610 mm
B	Outside width top	400 mm
C	Height	340 mm
D	Base length outside	505 mm
E	Base width outside	335 mm

Product features	*Load capacity as specified in EN 13117
Weight	3.82 kg
*Stacking load	200 kg
*Load capacity	35 kg
Volume	58 litres
Warranty	5 year BITO QUALITY
ESD	ESD version upon request
Temperature range	-20°C to +80°C
Food safety	✓
Material	PP
Stock item	✓
Pcs/pallet	76
Pcs/pack	1
colour	dove blue
Ref. no.	6-11121

Other colours / special colours on request

Dimensions, tolerances as specified in DIN 16901	
Outside length top	610 mm
Outside width top	400 mm
Height	340 mm
Inside length top	540 mm
Inside width top	371 mm
Inside length base	498 mm
Inside width base	329 mm
Inside height	298 mm
Height of stacking rim	80 mm

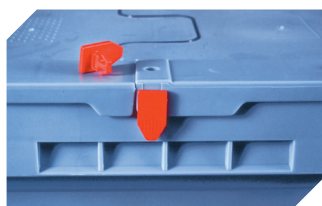
Printed message	
Pad printing area on short side (front)	240 x 100 mm
Pad printing area on short side (rear)	240 x 100 mm
Pad printing area on long side	250 x 100 mm
Screen printing area on short side	210 x 110 mm
Screen printing area on short side (rear)	210 x 110 mm
Screen printing area on long side	380 x 90 mm
Hot foil printing area on short side (front)	240 x 100 mm
Hot foil printing area on short side (rear)	240 x 100 mm
Hot foil printing area on long side	250 x 100 mm
Injection mold printing area on long side	235 x 50 mm

Information & Service
www.bito.com

BITO
 STORAGE
 SYSTEMS

Multi-purpose containers MB, with hinged two-part lid

MBD64321 | Accessories



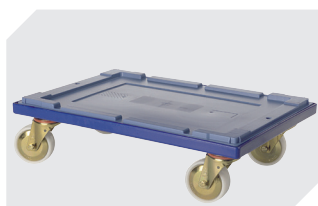
Security seals

MBP1 - suited for BITOBOX MB
6-10810



Rails for A4 hanging files

for multi-purpose containers MB
6-11920



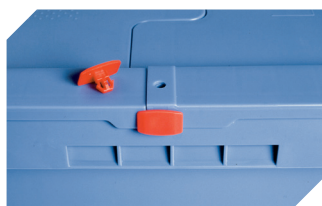
Transport dollies

for multi-purpose containers sized
600 x 400 mm
L 620 x W 420 mm
6-15510



Connector clips

6-15625



Security seals

MBP2 - suited for BITOBOX MB
6-15705



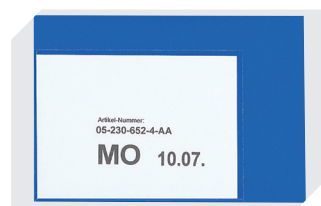
Security seals

MBP2-L - suited for BITOBOX MB,
XL, SL
6-19162



Locking clips

suited for BITOBOX MB
6-20299



Document pockets

self-adhesive
2 sides open
L 145 x W 100 mm
46-21108



Barcoded security seals

MBP3 - suited for BITOBOX MBs in all
sizes and XLs 800 x 600 mm
6-31550



Document pockets

self-adhesive
3 sides open
L 175 x W 105 mm
6-5031