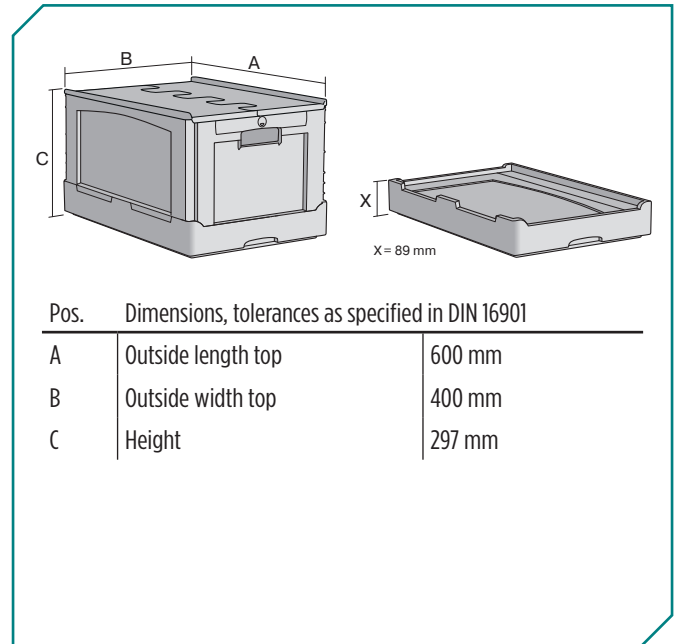
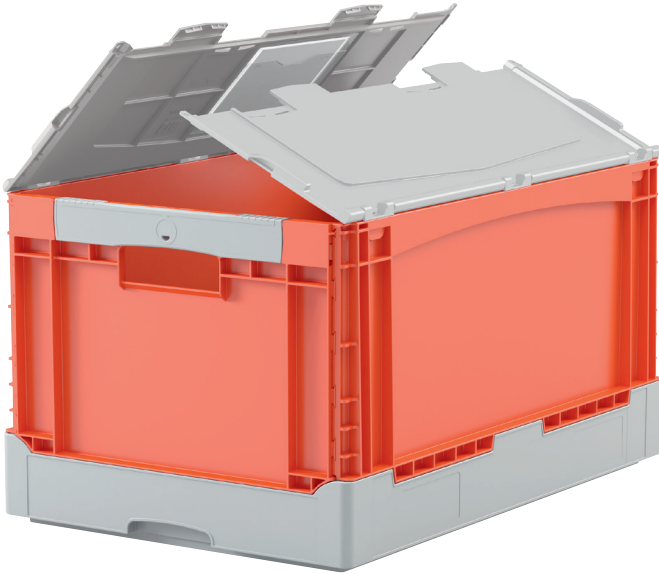


Folding boxes EQ - with grip opening, with ribbed base and with hinged two-part lid

EQD64281R | Data sheet



| Product features | *Load capacity as specified in EN 13117 |
|-------------------|---|
| Weight | 3.21 kg |
| *Stacking load | 180 kg |
| *Load capacity | 50 kg |
| Volume | 54 litres |
| Warranty | 5 year BITO QUALITY |
| ESD | No |
| Temperature range | -20°C to +80°C |
| Food safety | ✓ |
| Material | PP |
| Stock item | - |
| Pcs/pack | 1 |
| colour | orange/grey |
| Ref. no. | 51-31464 |

Other colours / special colours on request

| Dimensions, tolerances as specified in DIN 16901 | |
|--|--------|
| Outside length top | 600 mm |
| Outside width top | 400 mm |
| Height | 297 mm |
| Inside length top | 568 mm |
| Inside width top | 368 mm |
| Inside length base | 566 mm |
| Inside width base | 366 mm |
| Inside height | 260 mm |

Information & Service
www.bitocom

BITO
 STORAGE
 SYSTEMS

Folding boxes EQ - with grip opening, with ribbed base and with hinged two-part lid
EQD64281R | Accessories



Transport dollies
polypropylene wheels
L 620 x W 420 mm
43-1491



Security seals with laser marking
suited for BITO folding boxes EQ
51-31666



Document pockets
self-adhesive
3 sides open
L 175 x W 105 mm
6-5031