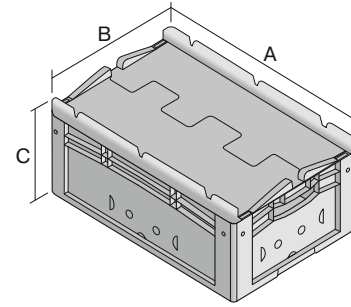


# European size stacking containers XL, with hinged two-part lid

## XLD43271 | Data sheet



Pos. Dimensions, Tolerances as specified in DIN 16901

Pos.	Dimensions, Tolerances as specified in DIN 16901	
A	Outside length top	400 mm
B	Outside width top	300 mm
C	Height	288 mm

Features	*Load capacity as specified in EN 13117
Proper weight	1.88 kg
*Stacking load	250 kg
*Load capacity	30 kg
Volume	25 Litres
Warranty	5 year BITO QUALITY
ESD	ESD version upon request
Temperature range	-20°C to +90°C
Food safety	✓
Material	PP
Stock item	✓
Pcs/pack	1
Colour	blue
Ref. no.	43-18529

Other colours / special colours on request

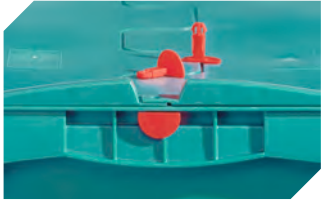
Dimensions, Tolerances as specified in DIN 16901	
Outside length top	400 mm
Outside width top	300 mm
Height	288 mm
Inside length top	368 mm
Inside width top	268 mm
Inside length base	359 mm
Inside width base	259 mm
Inside height	267 mm

Printed message	
Pad printing area on short side (front)	90 x 180 mm
Pad printing area on short side (rear)	90 x 180 mm
Pad printing area on long side	90 x 230 mm
Hot foil printing area on short side (front)	90 x 180 mm
Hot foil printing area on short side (rear)	90 x 180 mm
Hot foil printing area on long side	90 x 230 mm
Injection mold printing area on long side	25 x 130 mm

Information & Service  
[www.bitto.com](http://www.bitto.com)

**BITO**  
 STORAGE  
 SYSTEMS

# European size stacking containers XL, with hinged two-part lid **XLD43271** | Accessories



## **Security seals**

for European size stacking containers XL  
and small parts containers KLT  
**9-16271**



## **Covers for palletised containers**

L 1220 x W 820 mm  
**9-18421**



## **Drop-on lids**

for European size stacking containers XL  
L 400 x W 300 mm  
**43-20303**



## **Drop-on lids**

for European size stacking containers XL  
L 400 x W 300 mm  
**43-20498**



## **Grip closures**

suited for bins with a height of 170,  
220 and 270 mm  
**43-31450**

Information & Service  
**[www.bitto.com](http://www.bitto.com)**

**BITO**  
S T O R A G E  
S Y S T E M S