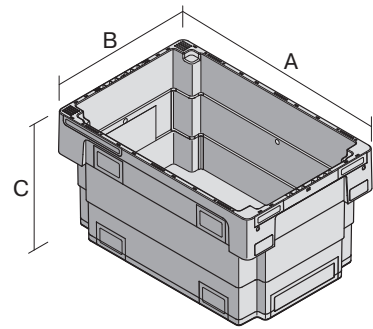


Stack and nest containers U-Turn, with handcups and double base

DSB64321D | Data sheet



Pos. Dimensions, tolerances as specified in DIN 16901

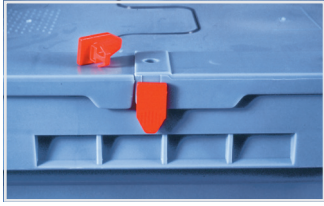
A	Outside length top	600 mm
B	Outside width top	400 mm
C	Height	320 mm

Product features		*Load capacity as specified in EN 13117	Dimensions, tolerances as specified in DIN 16901	
Weight		2.71 kg	Outside length top	600 mm
*Load capacity		50 kg	Outside width top	400 mm
Volume		62 litres	Height	320 mm
Warranty		5 year BITO QUALITY	Inside length base	548 mm
ESD		ESD version upon request	Inside width base	348 mm
Temperature range		-20°C to +90°C		
Food safety		✓		
Material		PP		
Stock item		-		
Pcs/pack		1		
Colour		grey		
Ref. no.		C0502-0001		
Other colours / special colours on request				

Information & Service
www.bitto.com

BITO
 STORAGE
 SYSTEMS

Stack and nest containers U-Turn, with handcups and double base **DSB64321D** | Accessories



Security seals

MBP1 - suited for BITOBOX MB

6-10810



Barcoded security seals

MBP3 - suited for BITOBOX MBs in all sizes and XLs 800 x 600 mm

6-31550



Bag holder

demountable

6-31553



Drop-on lid

for stack and nest containers U-Turn
foldable

L 600 x W 400 mm

78-51030