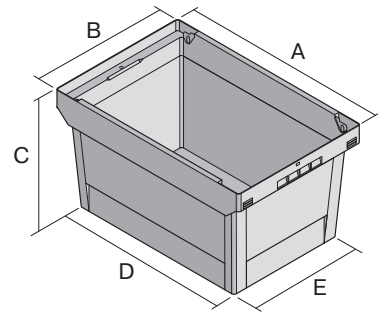
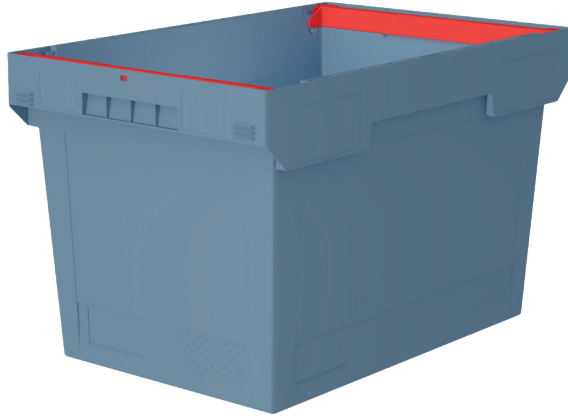


Multi-purpose containers MB Food & Delivery, with mounted stacking rails

MBBEC64371 | Data sheet



Pos. Dimensions, tolerances as specified in DIN 16901

A	Outside length top	600 mm
B	Outside width top	400 mm
C	Height	373 mm

Product features

Weight	2.42 kg
*Stacking load	160 kg
*Load capacity	28 kg
Volume	67 litres
Warranty	5 year BITO QUALITY
ESD	No
Food safety	-
Material	PP
Stock item	✓
Pcs/pack	1
colour	dove blue
Ref. no.	79-51074

Dimensions, tolerances as specified in DIN 16901

Outside length top	600 mm
Outside width top	400 mm
Height	373 mm
Inside height	357 mm
Useful interior height when stacked	357 mm

Other colours / special colours on request

All written or verbal information about product properties and product application are given to the best of our knowledge. This information is based on our experience and cannot be warranted as the sole binding product properties. It is the customer's responsibility to check whether the ordered goods are suitable for the intended use. All measurements are subject to variations within the scope of the applicable manufacturing tolerances.

* Load capacity data according to EN 13117 refer to an ambient temperature of 23 °C.

Information & Service
www.bito.com

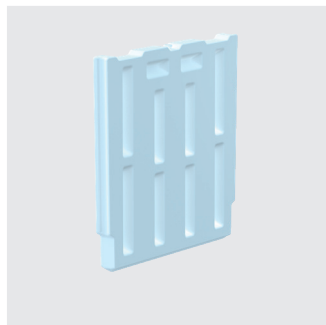
BITO
 STORAGE
 SYSTEMS

Multi-purpose containers MB Food & Delivery, with mounted stacking rails

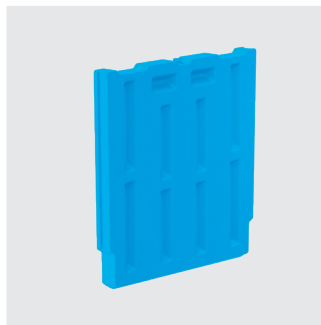
MBBEC64371 | Accessories



Cross dividers for thermo boxes
L 298 x W 25 x H 294 mm
79-51050



Cold packs for chilled products
suited for -3°C
L 296 x W 25 x H 294 mm
79-51053



Cold packs for chilled and frozen products
suited for -21°C
L 296 x W 25 x H 294 mm
79-51054



Thermo boxes 64
L 528 x W 358 x H 352 mm
79-51057



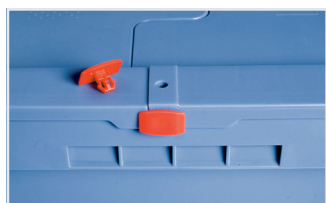
Thermo boxes 32
L 358 x W 263 x H 352 mm
79-51058



Transport dollies
for multi-purpose containers sized
600 x 400 mm
L 620 x W 420 mm
6-15510



Security seals
MBP1 - suited for BITOBOX MB
6-10810



Security seals
MBP2 - suited for BITOBOX MB
6-15705



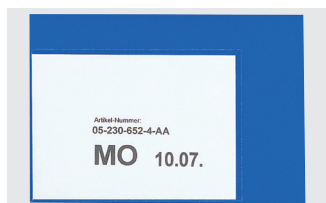
Security seals
MBP2-L - suited for BITOBOX MB, XL, SL
6-19162



Barcoded security seals
MBP3 - suited for BITOBOX MBs in all
sizes and XLs 800 x 600 mm
6-31550



Drop-on lid
for multi-purpose containers MB
L 600 x W 400 mm
6-30276



Document pockets
self-adhesive
2 sides open
L 145 x W 100 mm
46-21108



Document pockets
self-adhesive
3 sides open
L 175 x W 105 mm
6-5031