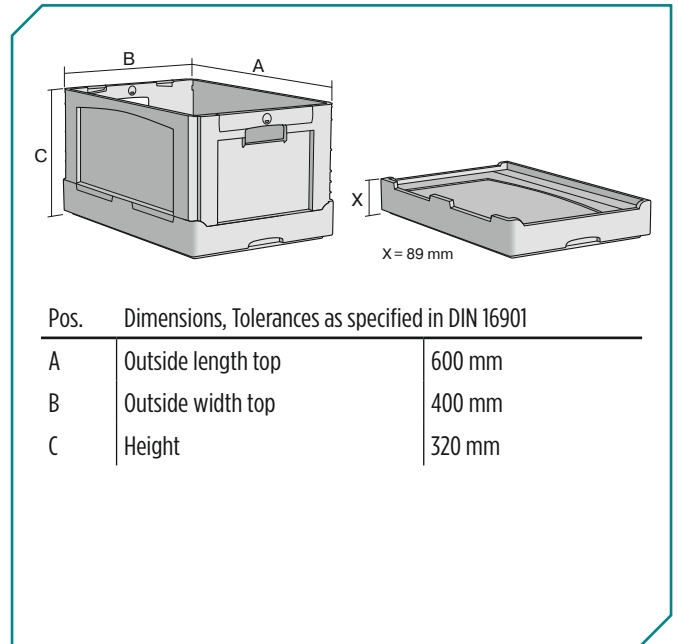


Folding boxes EQ - with fold-up handles, with ribbed base  
**EQ64321LR** | Data sheet



Features	*Load capacity as specified in EN 13117
Proper weight	2.88 kg
*Stacking load	180 kg
*Load capacity	50 kg
Volume	62 Litres
Warranty	5 year BITO QUALITY
ESD	No
Temperature range	-20°C to +90°C
Food safety	✓
Material	PP
Stock item	-
Pcs/pack	1
Colour	orange/grey
Ref. no.	51-31463

Dimensions, Tolerances as specified in DIN 16901	
Outside length top	600 mm
Outside width top	400 mm
Height	320 mm
Inside length top	268 mm
Inside width top	368 mm
Inside length base	566 mm
Inside width base	366 mm
Inside height	302 mm

Other colours / special colours on request

Information & Service  
[www.bitocom](http://www.bitocom)

**BITO**  
 STORAGE  
 SYSTEMS

Folding boxes EQ - with fold-up handles, with ribbed base

## EQ64321LR | Accessories



**Transport dolly**  
polypropylene wheels  
L 620 x W 420 mm  
**43-1491**



**Drop-on lids**  
suited for BITO folding boxes EQ  
L 592 x W 392 mm  
**51-31437**



**Security seals**  
suited for BITO folding boxes EQ  
**51-31438**



**Document pockets**  
self-adhesive  
3 sides open  
L 175 x W 105 mm  
**6-5031**