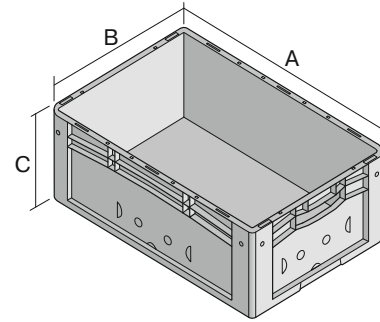


European size stacking containers XL, with perforated base and perforated sides XL43173 | Data sheet



Pos.	Dimensions, Tolerances as specified in DIN 16901	
A	Outside length top	400 mm
B	Outside width top	300 mm
C	Height	170 mm

Features	*Load capacity as specified in EN 13117
Proper weight	1.00 kg
*Stacking load	250 kg
*Load capacity	35 kg
Volume	13 Litres
Warranty	5 year BITO QUALITY
ESD	ESD version upon request
Temperature range	-20°C to +90°C
Food safety	✓
Material	PP
Stock item	✓
Pcs/pack	1
Colour	blue
Ref. no.	43-18515

Dimensions, Tolerances as specified in DIN 16901	
Outside length top	400 mm
Outside width top	300 mm
Height	170 mm
Inside length top	368 mm
Inside width top	268 mm
Inside length base	359 mm
Inside width base	259 mm
Inside height	152 mm

Other colours / special colours on request

Printed message

Injection mold printing area on long side	25 x 135 mm
---	-------------

European size stacking containers XL, with perforated base and perforated sides

XL43173 | Accessories



Covers for palletised containers
L 1220 x W 820 mm
9-18421



Drop-on lids
for European size stacking
containers XL
L 400 x W 300 mm
43-20303



Drop-on lids
for European size stacking
containers XL
L 400 x W 300 mm
43-20498



Grip closures
suited for bins with a height of 170,
220 and 270 mm
43-31450