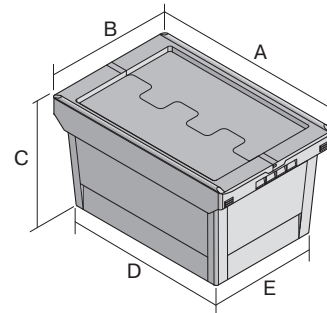


Multi-purpose containers MB, with locking system

MBD64321BS1 | Data sheet



Pos. Dimensions, tolerances as specified in DIN 16901

| Pos. | Dimensions, tolerances as specified in DIN 16901 | |
|------|--|--------|
| A | Outside length top | 610 mm |
| B | Outside width top | 400 mm |
| C | Height | 340 mm |
| D | Base length outside | 505 mm |
| E | Base width outside | 335 mm |

| Product features | *Load capacity as specified in EN 13117 |
|------------------|---|
| Weight | 3.68 kg |
| *Stacking load | 300 kg |
| *Load capacity | 35 kg |
| Volume | 58 litres |
| ESD | No |
| Food safety | - |
| Material | PP |
| Stock item | ✓ |
| Pcs/pack | 1 |
| colour | dove blue |
| Ref. no. | 6-18125 |

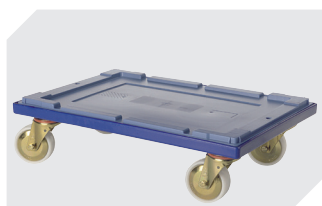
Other colours / special colours on request

| Dimensions, tolerances as specified in DIN 16901 | |
|--|--------|
| Outside length top | 610 mm |
| Outside width top | 400 mm |
| Height | 340 mm |

Information & Service
www.bitocom

BITO
 STORAGE
 SYSTEMS

Multi-purpose containers MB, with locking system **MBD64321BS1** | Accessories



Transport dollies

for multi-purpose containers sized

600 x 400 mm

L 620 x W 420 mm

6-15510