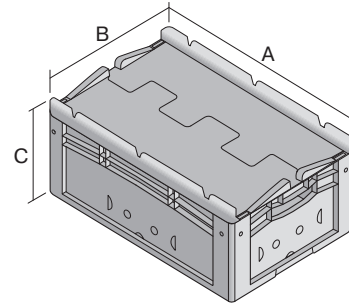
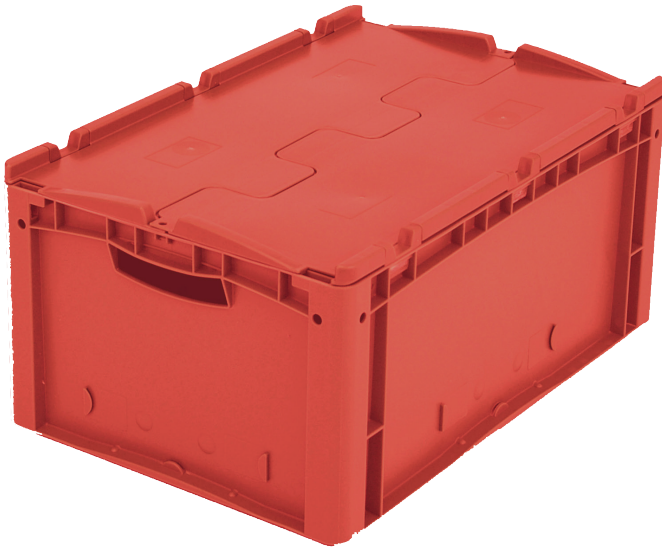


# European size stacking containers XL, with hinged two-part lid

## XLD64271 | Data sheet



Pos. Dimensions, tolerances as specified in DIN 16901

Pos.	Dimensions, tolerances as specified in DIN 16901	
A	Outside length top	600 mm
B	Outside width top	400 mm
C	Height	288 mm

### Product features

Weight	3.09 kg
*Stacking load	300 kg
*Load capacity	15 kg
Volume	53 litres
Warranty	5 year BITO QUALITY
ESD	ESD version upon request
Temperature range	-20°C to +80°C
Food safety	✓
Material	PP
Stock item	✓
Pcs/pack	1
colour	red
Ref. no.	43-14519

Other colours / special colours on request

All written or verbal information about product properties and product application are given to the best of our knowledge. This information is based on our experience and cannot be warranted as the sole binding product properties. It is the customer's responsibility to check whether the ordered goods are suitable for the intended use. All measurements are subject to variations within the scope of the applicable manufacturing tolerances.

\* Load capacity data according to EN 13117 refer to an ambient temperature of 23 °C.

### Dimensions, tolerances as specified in DIN 16901

Outside length top	600 mm
Outside width top	400 mm
Height	288 mm
Inside length top	568 mm
Inside width top	368 mm
Inside length base	559 mm
Inside width base	359 mm
Inside height	266 mm

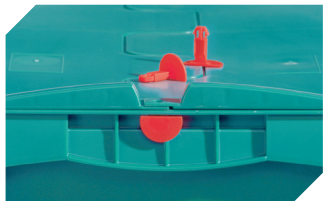
### Printed message

Pad printing area on short side (front)	90 x 250 mm
Pad printing area on short side (rear)	90 x 250 mm
Pad printing area on long side	90 x 250 mm
Hot foil printing area on short side (front)	90 x 250 mm
Hot foil printing area on short side (rear)	90 x 250 mm
Hot foil printing area on long side	90 x 250 mm
Injection mold printing area on long side	25 x 180 mm

Information & Service  
[www.bito.com](http://www.bito.com)

**BITO**  
STORAGE  
SYSTEMS

# European size stacking containers XL, with hinged two-part lid **XLD64271** | Accessories



## **Security seals**

for European size stacking containers XL  
and small parts containers KLT

**9-16271**



## **Covers for palletised loads**

L 1220 x W 820 mm

**9-18421**



## **Transport dollies**

rubber wheels

L 620 x W 420 mm

**43-21883**



## **Grip closures**

for European size stacking containers XL  
with a height of 170, 220 and 270 mm

**43-31450**