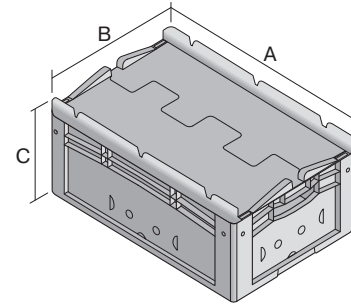


European size stacking containers XL, with hinged two-part lid

XLD86421 | Data sheet



Pos. Dimensions, tolerances as specified in DIN 16901

A	Outside length top	800 mm
B	Outside width top	600 mm
C	Height	438 mm

Product features	*Load capacity as specified in EN 13117
Weight	9.25 kg
*Stacking load	800 kg
*Load capacity	60 kg
Volume	170 litres
Warranty	5 year BITO QUALITY
ESD	ESD version upon request
Temperature range	-20°C to +80°C
Food safety	✓
Material	PP
Stock item	✓
Pcs/pack	1
colour	blue
Ref. no.	43-22561

Other colours / special colours on request

Dimensions, tolerances as specified in DIN 16901	
Outside length top	800 mm
Outside width top	600 mm
Height	438 mm
Inside length top	762 mm
Inside width top	562 mm
Inside height	415 mm

Printed message	
Pad printing area on short side (front)	100 x 180 mm
Pad printing area on short side (rear)	100 x 180 mm
Pad printing area on long side	100 x 180 mm
Hot foil printing area on short side (front)	100 x 180 mm
Hot foil printing area on short side (rear)	100 x 180 mm
Hot foil printing area on long side	100 x 180 mm
Injection mold printing area on long side	25 x 100 mm

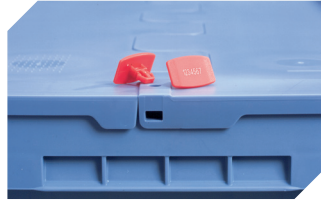
Information & Service
www.bito.com

BITO
 LAGERTECHNIK

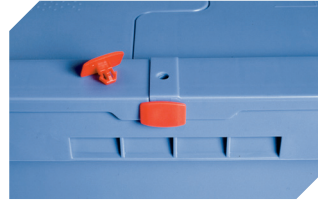
European size stacking containers XL, with hinged two-part lid **XLD86421** | Accessories



Transport dollies
for containers sized 800 x 600 mm
L 800 x W 600 mm
43-1150



Security seals
MBP2-L - suited for BITOBOX MB,
XL, SL
6-19162



Security seals
MBP2 - suited for BITOBOX MB
6-15705



Covers for palletised loads
L 1220 x W 820 mm
9-18421



Barcoded security seals
MBP3 - suited for BITOBOX MBs in all
sizes and XLs 800 x 600 mm
6-31550

Information & Service
www.bito.com

BITO
LAGERTECHNIK