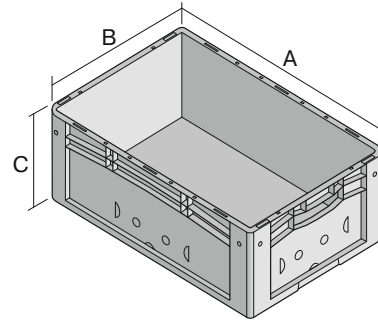


European size stacking containers XL, standard version

XL32171 | Data sheet



Pos.	Dimensions, Tolerances as specified in DIN 16901	
A	Outside length top	300 mm
B	Outside width top	200 mm
C	Height	170 mm

Features	*Load capacity as specified in EN 13117
Proper weight	0.58 kg
*Load capacity	15 kg
Volume	6 Litres
Warranty	5 year BITO QUALITY
ESD	ESD version upon request
Temperature range	-20°C to +90°C
Food safety	✓
Material	PP
Stock item	✓
Pcs/pack	1
Colour	red
Ref. no.	43-30389

Dimensions, Tolerances as specified in DIN 16901	
Outside length top	300 mm
Outside width top	200 mm
Height	170 mm
Inside length top	268 mm
Inside width top	168 mm
Inside length base	256 mm
Inside width base	156 mm
Inside height	167 mm

Other colours / special colours on request

European size stacking containers XL, standard version

XL32171 | Accessories



Covers for palletised containers

L 1220 x W 820 mm

9-18421



Drop-on lids

for European size stacking
containers XL

L 300 x W 200 mm

43-30392