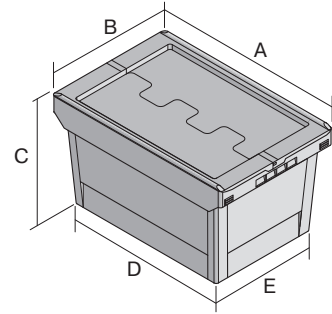


Multi-purpose containers MB, with hinged interlocking lid suited for strap-sealing MBDU64221 | Data sheet



Pos. Dimensions, tolerances as specified in DIN 16901

Pos.	Dimensions, tolerances as specified in DIN 16901	
A	Outside length top	610 mm
B	Outside width top	400 mm
C	Height	249 mm
D	Base length outside	505 mm
E	Base width outside	335 mm

Product features	*Load capacity as specified in EN 13117
Weight	2.89 kg
*Stacking load	200 kg
*Load capacity	30 kg
Volume	38 litres
Warranty	5 year BITO QUALITY
ESD	ESD version upon request
Temperature range	-20°C to +80°C
Food safety	✓
Material	PP
Stock item	✓
Pcs/pallet	96
Pcs/pack	1
colour	dove blue
Ref. no.	6-16131

Other colours / special colours on request

Dimensions, tolerances as specified in DIN 16901	
Outside length top	610 mm
Outside width top	400 mm
Height	249 mm
Inside length top	540 mm
Inside width top	371 mm
Inside length base	498 mm
Inside width base	329 mm
Inside height	210 mm
Height of stacking rim	50 mm

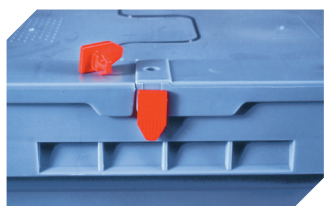
Printed message	
Pad printing area on short side (front)	240 x 90 mm
Pad printing area on short side (rear)	240 x 90 mm
Pad printing area on long side	250 x 90 mm
Screen printing area on short side	210 x 50 mm
Screen printing area on short side (rear)	210 x 50 mm
Screen printing area on long side	380 x 60 mm
Hot foil printing area on short side (front)	240 x 90 mm
Hot foil printing area on short side (rear)	240 x 90 mm
Hot foil printing area on long side	250 x 90 mm
Injection mold printing area on long side	235 x 25 mm

Information & Service
www.bitto.com

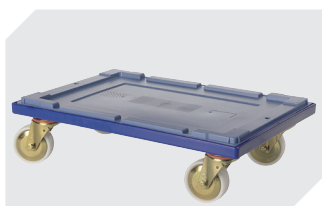
BITO
STORAGE
SYSTEMS

Multi-purpose containers MB, with hinged interlocking lid suited for strap-sealing

MBDU64221 | Accessories



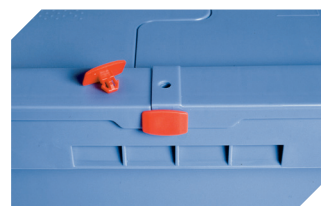
Security seals
MBP1 - suited for BITOBOX MB
6-10810



Transport dollies
for multi-purpose containers sized
600 x 400 mm
L 620 x W 420 mm
6-15510



Connector clips
6-15625



Security seals
MBP2 - suited for BITOBOX MB
6-15705



Security seals
MBP2-L - suited for BITOBOX MB,
XL, SL
6-19162



Locking clips
suited for BITOBOX MB
6-20299



Document pockets
self-adhesive
2 sides open
L 145 x W 100 mm
46-21108



Barcoded security seals
MBP3 - suited for BITOBOX MBs in all
sizes and XLs 800 x 600 mm
6-31550



Document pockets
self-adhesive
3 sides open
L 175 x W 105 mm
6-5031

Information & Service
www.bito.com

BITO
STORAGE
SYSTEMS