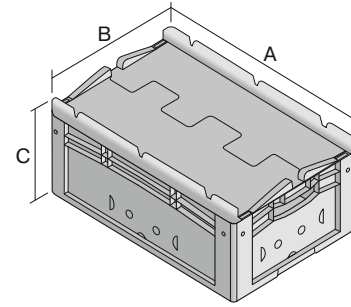


European size stacking containers XL, with hinged two-part lid

XLD86221 | Data sheet



Pos. Dimensions, Tolerances as specified in DIN 16901

A	Outside length top	800 mm
B	Outside width top	600 mm
C	Height	238 mm

Features	*Load capacity as specified in EN 13117
Proper weight	6.52 kg
*Stacking load	800 kg
*Load capacity	60 kg
Volume	86 Litres
Warranty	5 year BITO QUALITY
ESD	ESD version upon request
Temperature range	-20°C to +90°C
Food safety	✓
Material	PP
Stock item	✓
Pcs/pack	1
Colour	blue
Ref. no.	43-22599

Other colours / special colours on request

Dimensions, Tolerances as specified in DIN 16901	
Outside length top	800 mm
Outside width top	600 mm
Height	238 mm
Inside length top	762 mm
Inside width top	562 mm
Inside height	215 mm

Printed message	
Pad printing area on short side (front)	40 x 180 mm
Pad printing area on short side (rear)	40 x 180 mm
Pad printing area on long side	70 x 180 mm
Hot foil printing area on short side (front)	40 x 180 mm
Hot foil printing area on short side (rear)	40 x 180 mm
Hot foil printing area on long side	70 x 180 mm
Injection mold printing area on long side	25 x 100 mm

Information & Service
www.bitto.com

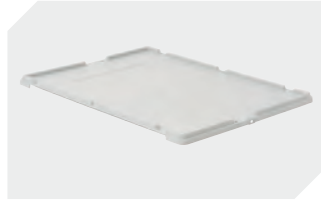
BITO
 STORAGE
 SYSTEMS

European size stacking containers XL, with hinged two-part lid

XLD86221 | Accessories



Transport dolly
for containers sized 800 x 600 mm
L 800 x W 600 mm
43-1150



Drop-on lid
for European size stacking containers XL
L 800 x W 600 mm
43-14853



Security seals
MBP2 - suited for BITOBOX MB
6-15705



Covers for palletised containers
L 1220 x W 820 mm
9-18421

Information & Service
www.bito.com

BITO
S T O R A G E
S Y S T E M S