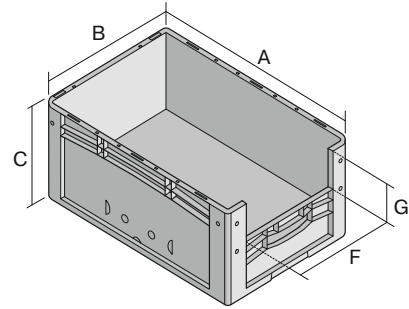


European size stacking containers XL, with short side pick opening

XL86224 | Data sheet



Pos.	Dimensions, Tolerances as specified in DIN 16901	
A	Outside length top	800 mm
B	Outside width top	600 mm
C	Height	220 mm
F	Width of view and pick opening	459 mm
G	Height of view and pick opening	103 mm

Features	*Load capacity as specified in EN 13117
Proper weight	4.34 kg
*Stacking load	500 kg
*Load capacity	60 kg
Volume	86 Litres
Warranty	5 year BITO QUALITY
ESD	ESD version upon request
Temperature range	-20°C to +90°C
Food safety	✓
Material	PP
Stock item	✓
Pcs/pack	1
Colour	blue
Ref. no.	43-22598

Dimensions, Tolerances as specified in DIN 16901	
Outside length top	800 mm
Outside width top	600 mm
Height	220 mm
Inside length top	762 mm
Inside width top	562 mm
Inside height	215 mm
Pick opening W x H	459 x 103 mm

Other colours / special colours on request



European size stacking containers XL, with short side pick opening **XL86224** | Accessories



Transport dolly
for containers sized 800 x 600 mm
L 800 x W 600 mm
43-1150



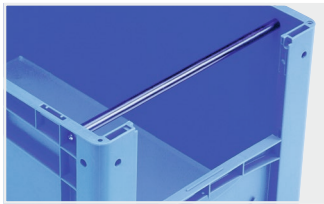
Labels
W 210 x H 74 mm
43-14557



Drop-on lid
for European size stacking
containers XL
L 800 x W 600 mm
43-14853



Label covers
for European size stacking
containers XL and small parts
containers KLT
W 209 x H 67 mm
9-20053



Handles
for European size stacking
containers XL
for European size stacking
containers BN
L 557 mm
43-22624