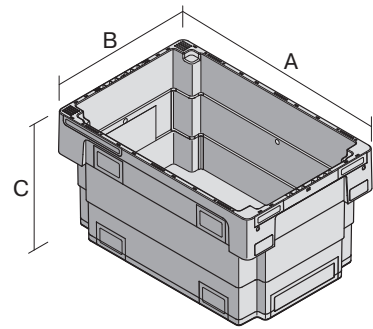
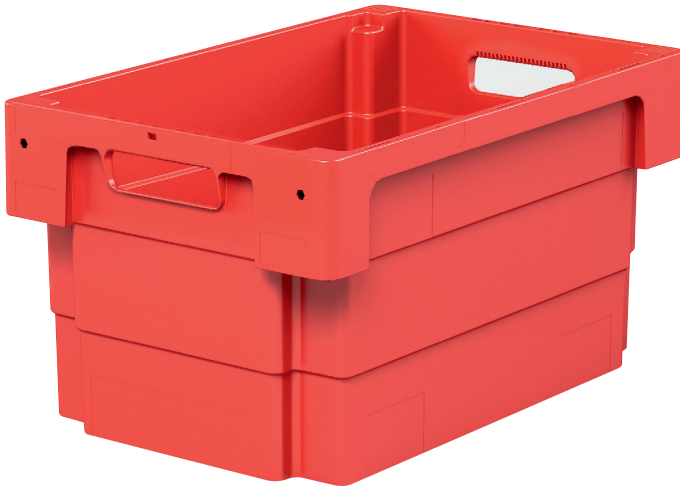


Stack and nest containers U-Turn, with grip openings

DSB64321 | Data sheet



Pos. Dimensions, tolerances as specified in DIN 16901

A	Outside length top	600 mm
B	Outside width top	400 mm
C	Height	320 mm

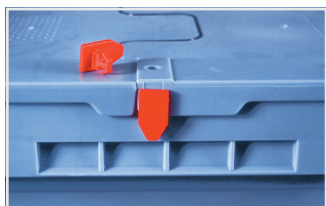
Product features	*Load capacity as specified in EN 13117	Dimensions, tolerances as specified in DIN 16901	
Weight	2.00 kg	Outside length top	600 mm
*Load capacity	20 kg	Outside width top	400 mm
Volume	62 litres	Height	320 mm
Warranty	5 year BITO QUALITY	Inside length base	548 mm
ESD	ESD version upon request	Inside width base	348 mm
Temperature range	-20°C to +80°C		
Food safety	✓		
Material	PP		
Stock item	-		
Pcs/pack	1		
colour	red		
Ref. no.	C0501-0003		
Other colours / special colours on request			

Information & Service
www.bitto.com

BITO
 STORAGE
 SYSTEMS

Stack and nest containers U-Turn, with grip openings

DSB64321 | Accessories



Security seals

MBP1 - suited for BITOBOX MB

6-10810



Barcoded security seals

MBP3 - suited for BITOBOX MBs in all sizes and XLs 800 x 600 mm

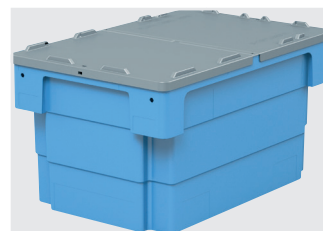
6-31550



Sides with bag holder notches

demountable

6-31553



Drop-on lid

for stack and nest containers U-Turn
foldable

L 600 x W 400 mm

78-51030