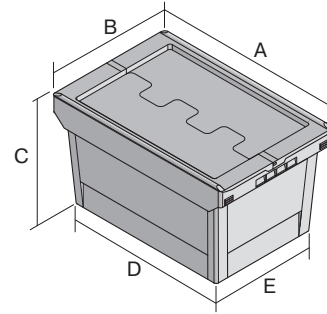


Multi-purpose containers MB, with locking system

MBD86321 BS1 | Data sheet



Pos. Dimensions, tolerances as specified in DIN 16901

Pos.	Dimensions, tolerances as specified in DIN 16901	
A	Outside length top	800 mm
B	Outside width top	600 mm
C	Height	353 mm
D	Base length outside	690 mm
E	Base width outside	508 mm

Product features	*Load capacity as specified in EN 13117
Weight	7.42 kg
*Stacking load	300 kg
*Load capacity	50 kg
Volume	120 litres
ESD	No
Food safety	-
Material	PP
Stock item	✓
Pcs/pack	1
colour	dove blue
Ref. no.	6-20286

Other colours / special colours on request

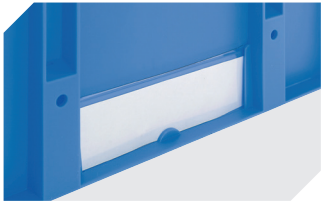
Dimensions, tolerances as specified in DIN 16901	
Outside length top	800 mm
Outside width top	600 mm
Height	353 mm

Information & Service
www.bitocom

BITO
 STORAGE
 SYSTEMS

Multi-purpose containers MB, with locking system

MBD86321 BS1 | Accessories



Label covers
for multi-purpose containers MB
W 60 x H 80.4 mm
6-15244



Transport dolly
for multi-purpose containers sized
800 x 400 mm and 800 x 600 mm
L 720 x W 540 mm
6-19439