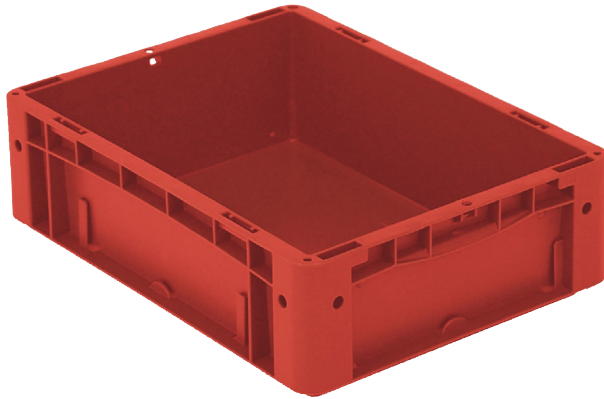
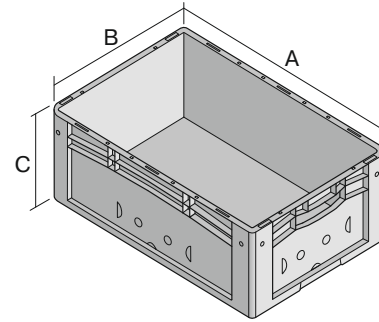


European size stacking containers XL, standard version

XL43121 | Data sheet



| Pos. | Dimensions, Tolerances as specified in DIN 16901 | |
|------|--|--------|
| A | Outside length top | 400 mm |
| B | Outside width top | 300 mm |
| C | Height | 120 mm |

| Features | *Load capacity as specified in EN 13117 |
|-------------------|---|
| Proper weight | 0.84 kg |
| *Stacking load | 250 kg |
| *Load capacity | 30 kg |
| Volume | 9.8 Litres |
| Warranty | 5 year BITO QUALITY |
| ESD | ESD version upon request |
| Temperature range | -20°C to +90°C |
| Food safety | ✓ |
| Material | PP |
| Stock item | ✓ |
| Pcs/pack | 1 |
| Colour | red |
| Ref. no. | 43-15308 |

| Dimensions, Tolerances as specified in DIN 16901 | |
|--|--------|
| Outside length top | 400 mm |
| Outside width top | 300 mm |
| Height | 120 mm |
| Inside length top | 368 mm |
| Inside width top | 268 mm |
| Inside length base | 359 mm |
| Inside width base | 259 mm |
| Inside height | 117 mm |

Other colours / special colours on request

| Printed message | |
|--|-------------|
| Pad printing area on long side | 10 x 230 mm |
| Hot foil printing area on short side (front) | 10 x 230 mm |
| Hot foil printing area on short side (rear) | 10 x 230 mm |
| Hot foil printing area on long side | 10 x 230 mm |
| Injection mold printing area on long side | 25 x 135 mm |



European size stacking containers XL, standard version

XL43121 | Accessories



Covers for palletised containers
L 1220 x W 820 mm
9-18421



Drop-on lids
for European size stacking
containers XL
L 400 x W 300 mm
43-20303