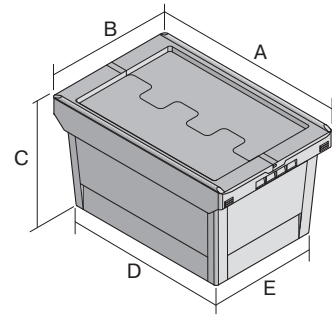


# Multi-purpose containers MB - Mail custom solution, with hinged two-part lid

## MBD43221POST | Data sheet



Pos. Dimensions, tolerances as specified in DIN 16901

| Pos. | Dimensions, tolerances as specified in DIN 16901 |        |
|------|--|--------|
| A    | Outside length top                               | 410 mm |
| B    | Outside width top                                | 300 mm |
| C    | Height   | 240 mm |
| D    | Base length outside                              | 318 mm |
| E    | Base width outside                               | 240 mm |

| Product features | *Load capacity as specified in EN 13117 |
|------------------|---|
| Weight           | 1.48 kg                                 |
| *Load capacity   | 20 kg                                   |
| Volume           | 18 litres                               |
| ESD              | No                                      |
| Food safety      | -                                       |
| Material         | PP                                      |
| Stock item       | ✓                                       |
| Pcs/pack         | 1                                       |
| colour           | daffodil yellow                         |
| Ref. no.         | 6-17264                                 |

Other colours / special colours on request

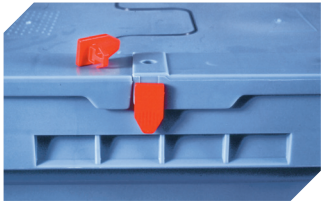
| Dimensions, tolerances as specified in DIN 16901 |        |
|--|--------|
| Outside length top                               | 410 mm |
| Outside width top                                | 300 mm |
| Height   | 240 mm |
| Inside length top                                | 349 mm |
| Inside width top                                 | 271 mm |
| Inside length base                               | 313 mm |
| Inside width base                                | 235 mm |

Information & Service  
[www.bitocom](http://www.bitocom)

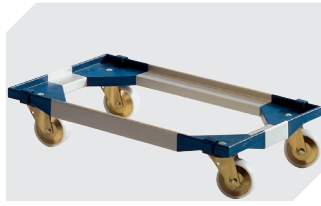
**BITO**  
 STORAGE  
 SYSTEMS

# Multi-purpose containers MB - Mail custom solution, with hinged two-part lid

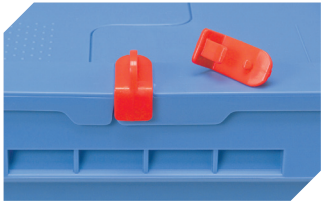
## MBD43221POST | Accessories



**Security seals**  
MBP1 - suited for BITOBOX MB  
**6-10810**



**Transport dolly**  
for multi-purpose containers sized  
800 x 400 mm and 800 x 600 mm  
L 720 x W 540 mm  
**6-19439**



**Locking clips**  
suited for BITOBOX MB  
**6-20299**



**Barcoded security seals**  
MBP3 - suited for BITOBOX MBs in all  
sizes and XLs 800 x 600 mm  
**6-31550**