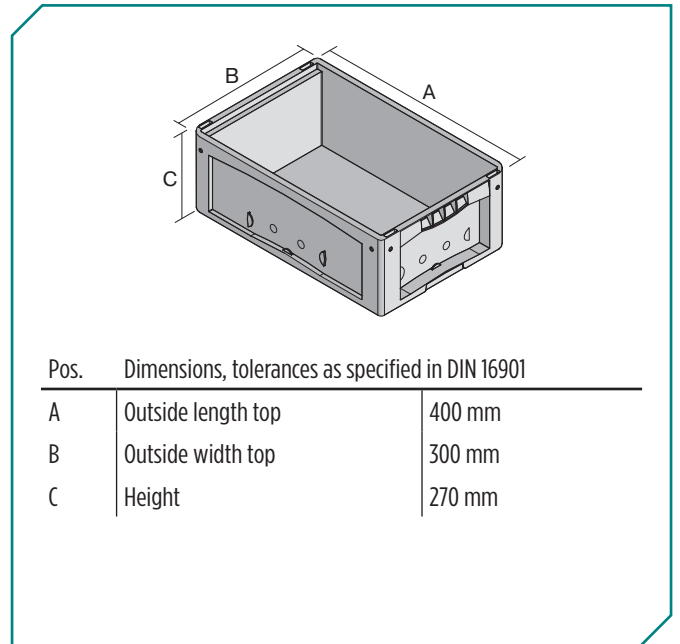


# Small parts containers KLT with double base

## KLT43270D | Data sheet



Product features	*Load capacity as specified in EN 13117
Weight	1.85 kg
*Stacking load	300 kg
*Load capacity	75 kg
Volume	20 litres
Warranty	5 year BITO QUALITY
ESD	No
Temperature range	-20°C to +60°C
Food safety	✓
Material	PP
Stock item	✓
Pcs/pack	1
colour	bin colour turquoise - double base in dark grey/black
Ref. no.	9-17506

Dimensions, tolerances as specified in DIN 16901	
Outside length top	400 mm
Outside width top	300 mm
Height	270 mm
Inside length top	341 mm
Inside width top	268 mm
Inside height	250 mm

Other colours / special colours on request

Information & Service  
[www.bito.com](http://www.bito.com)

**BITO**  
 STORAGE  
 SYSTEMS

## Small parts containers KLT with double base

# KLT43270D | Accessories



**Sides with bag holder notches**  
demountable  
**6-31553**



**Labels**  
suited for BITOBOX XL and KLT with a  
height of at least 170 mm  
W 210 x H 74 mm  
**43-14557**



**Slot-in divider strips**  
Material thickness 5 mm  
L 1150 x H 50 mm  
**43-18417**



**Covers for palletised loads**  
L 1220 x W 820 mm  
**9-18421**



**Label covers**  
for European size stacking containers  
XL and small parts containers KLT  
W 209 x H 67 mm  
**9-20053**



**Label covers**  
for small parts containers KLT  
for European size stacking containers XL  
firm fit  
W 218 x H 80 mm  
**9-20054**



**Drop-on lids**  
for small parts containers KLT  
L 400 x W 300 mm  
**43-20499**



**Drop-on lids**  
hinge-clipped on one side  
already fitted to KLT container  
L 400 x W 300 mm  
**43-21520**



**Transport dollies**  
rubber wheels  
L 620 x W 420 mm  
**43-21883**



**Document pockets**  
self-adhesive  
3 sides open  
L 175 x W 105 mm  
**6-5031**