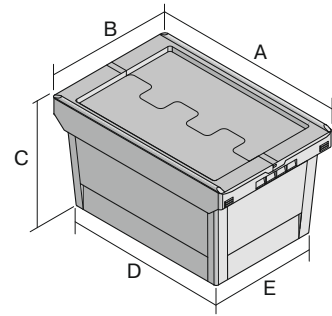


# Multi-purpose containers MB - Mail custom solution, with hinged two-part lid

## MBD64321POST | Data sheet



Pos. Dimensions, tolerances as specified in DIN 16901

Pos.	Dimensions, tolerances as specified in DIN 16901	
A	Outside length top	610 mm
B	Outside width top	400 mm
C	Height	340 mm
D	Base length outside	505 mm
E	Base width outside	335 mm

Product features	*Load capacity as specified in EN 13117
Proper weight	3.48 kg
*Load capacity	35 kg
Volume	58 Litres
ESD	No
Food safety	-
Material	PP
Stock item	-
Pcs/pack	1
Colour	RAL 1007 Daffodil yellow
Ref. no.	6-17268

Dimensions, tolerances as specified in DIN 16901	
Outside length top	610 mm
Outside width top	400 mm
Height	340 mm

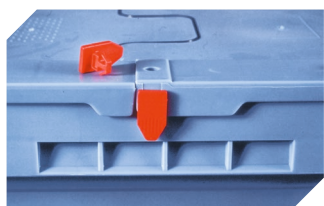
Other colours / special colours on request

Information & Service  
[www.bito.com](http://www.bito.com)

**BITO**  
 STORAGE  
 SYSTEMS

# Multi-purpose containers MB - Mail custom solution, with hinged two-part lid

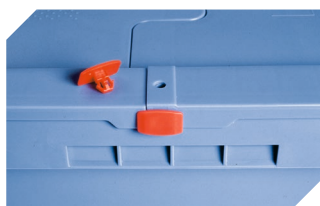
## MBD64321POST | Accessories



**Security seals**  
MBP1 - suited for BITOBOX MB  
**6-10810**



**Transport dolly**  
for multi-purpose containers sized  
600 x 400 mm  
L 620 x W 420 mm  
**6-15510**



**Security seals**  
MBP2 - suited for BITOBOX MB  
**6-15705**



**Security seals**  
MBP2-N - suited for BITOBOX MB,  
XL, SL  
**6-19162**



**Locking clips**  
suited for BITOBOX MB  
**6-20299**



**Barcoded security seals**  
MBP3 - suited for BITOBOX MB and XL  
800 x 600 mm  
**6-31550**