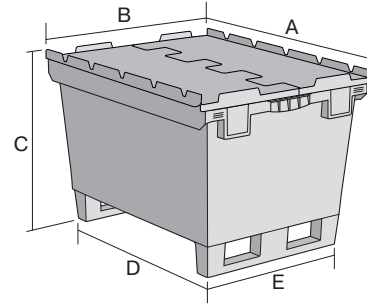


Multi-purpose containers MB with double base, with hinged interlocking lid and fork entry shoes

**MBD86421DKUFE** | Data sheet



Pos. Dimensions, tolerances as specified in DIN 16901

Pos.	Dimensions, tolerances as specified in DIN 16901	
A	Outside length top	800 mm
B	Outside width top	600 mm
C	Height	553 mm
D	Base length outside	690 mm
E	Base width outside	508 mm

Product features	*Load capacity as specified in EN 13117
Weight	10.22 kg
*Stacking load	300 kg
*Load capacity	200 kg
Volume	147 litres
Warranty	5 year BITO QUALITY
ESD	No
Temperature range	-20°C to +80°C
Food safety	✓
Material	PP
Stock item	✓
Pcs/pack	1
colour	dove blue
Ref. no.	6-15319

Dimensions, tolerances as specified in DIN 16901	
Outside length top	800 mm
Outside width top	600 mm
Height	553 mm
Inside length base	682 mm
Inside width base	500 mm
Inside height	389 mm

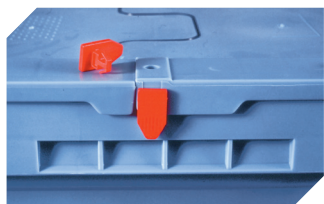
Other colours / special colours on request

Information & Service  
[www.bito.com](http://www.bito.com)

**BITO**  
LAGERTECHNIK

Multi-purpose containers MB with double base, with hinged interlocking lid and fork entry shoes

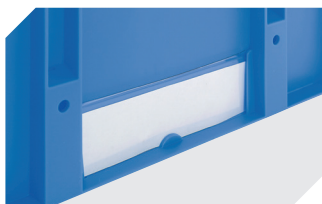
## MBD86421DKUFE | Accessories



### Security seals

MBP1 - suited for BITOBOX MB

**6-10810**



### Label covers

for multi-purpose containers MB

W 60 x H 80.4 mm

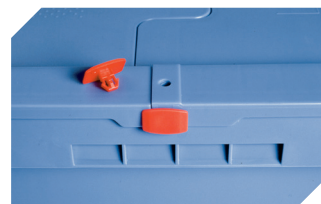
**6-15244**



### Barcoded security seals

MBP3 - suited for BITOBOX MBs in all sizes and XLs 800 x 600 mm

**6-31550**



### Security seals

MBP2 - suited for BITOBOX MB

**6-15705**



### Security seals

MBP2-L - suited for BITOBOX MB, XL, SL

**6-19162**

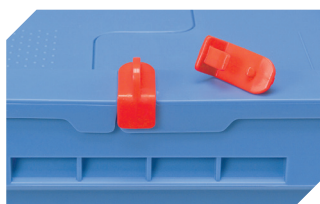


### Transport dollies

for multi-purpose containers sized 800 x 400 mm and 800 x 600 mm

L 720 x W 540 mm

**6-19439**



### Locking clips

suited for BITOBOX MB

**6-20299**