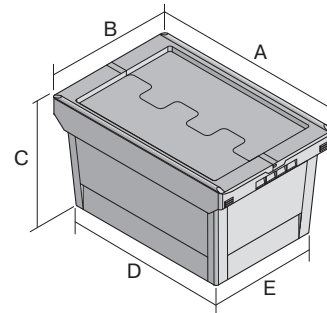


# Multi-purpose containers MB, with locking system

## MBD64321BS1 | Data sheet



Pos. Dimensions, tolerances as specified in DIN 16901

Pos.	Dimensions, tolerances as specified in DIN 16901	
A	Outside length top	610 mm
B	Outside width top	400 mm
C	Height	340 mm
D	Base length outside	505 mm
E	Base width outside	335 mm

### Product features

Weight	3.68 kg
*Stacking load	300 kg
*Load capacity	35 kg
Volume	58 litres
ESD	No
Food safety	-
Material	PP
Stock item	-
Pcs/pack	1
colour	dove blue
Ref. no.	6-18125

Other colours / special colours on request

All written or verbal information about product properties and product application are given to the best of our knowledge. This information is based on our experience and cannot be warranted as the sole binding product properties. It is the customer's responsibility to check whether the ordered goods are suitable for the intended use. All measurements are subject to variations within the scope of the applicable manufacturing tolerances.

\* Load capacity data according to EN 13117 refer to an ambient temperature of 23 °C.

### Dimensions, tolerances as specified in DIN 16901

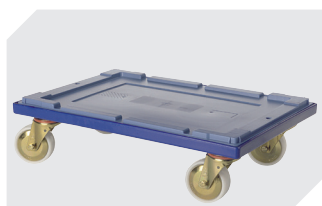
Outside length top	610 mm
Outside width top	400 mm
Height	340 mm
Useful interior height when stacked	298 mm

Information & Service  
[www.bito.com](http://www.bito.com)

**BITO**  
 STORAGE  
 SYSTEMS

## Multi-purpose containers MB, with locking system

# MBD64321BS1 | Accessories



### **Transport dollies**

for multi-purpose containers sized

600 x 400 mm

L 620 x W 420 mm

**6-15510**