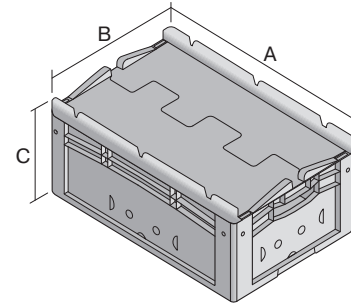


# European size stacking containers XL with ribbed base RX, with hinged two-part lid XLD64171RX | Data sheet



Pos. Dimensions, tolerances as specified in DIN 16901

|   |                    |        |
|---|--------------------|--------|
| A | Outside length top | 600 mm |
| B | Outside width top  | 400 mm |
| C | Height             | 188 mm |

## Product features

|                   |                          |
|-------------------|--------------------------|
| Weight            | 2.84 kg                  |
| *Stacking load    | 300 kg                   |
| *Load capacity    | 50 kg                    |
| Volume            | 28 litres                |
| Warranty          | 5 year BITO QUALITY      |
| ESD               | ESD version upon request |
| Temperature range | -20°C to +80°C           |
| Food safety       | ✓                        |
| Material          | PP                       |
| Stock item        | ✓                        |
| Pcs/pack          | 1                        |
| colour            | blue                     |
| Ref. no.          | 43-30268                 |

Other colours / special colours on request

All written or verbal information about product properties and product application are given to the best of our knowledge. This information is based on our experience and cannot be warranted as the sole binding product properties. It is the customer's responsibility to check whether the ordered goods are suitable for the intended use. All measurements are subject to variations within the scope of the applicable manufacturing tolerances.

\* Load capacity data according to EN 13117 refer to an ambient temperature of 23 °C.

## Dimensions, tolerances as specified in DIN 16901

|                    |        |
|--------------------|--------|
| Outside length top | 600 mm |
| Outside width top  | 400 mm |
| Height             | 188 mm |
| Inside length top  | 568 mm |
| Inside width top   | 368 mm |
| Inside length base | 559 mm |
| Inside width base  | 359 mm |
| Inside height      | 152 mm |

## Printed message

|   |             |
|---|-------------|
| Pad printing area on long side            | 30 x 250 mm |
| Hot foil printing area on long side       | 30 x 250 mm |
| Injection mold printing area on long side | 25 x 195 mm |

Information & Service  
[www.bitto.com](http://www.bitto.com)

**BITO**  
STORAGE  
SYSTEMS

# European size stacking containers XL with ribbed base RX, with hinged two-part lid **XLD64171RX** | Accessories



## **Security seals**

for European size stacking containers XL  
and small parts containers KLT  
**9-16271**



## **Covers for palletised loads**

L 1220 x W 820 mm  
**9-18421**



## **Transport dollies**

rubber wheels  
L 620 x W 420 mm  
**43-21883**



## **Grip closures**

for European size stacking containers XL  
with a height of 170, 220 and 270 mm  
**43-31450**