

Bereitstellregal SDS-T direct/solution Supply racking

BITO
WWW.BITO.COM

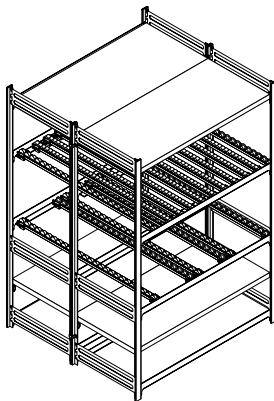
verfahrbar/mobile

#5/2015/ Art.-Nr.: 42635

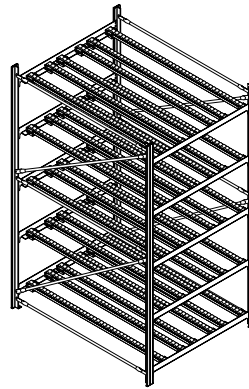
QR-Code



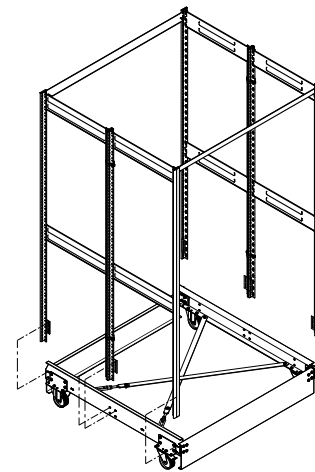
www.bitto.com



direct



solution

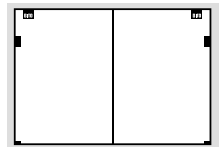


direct/solution

Aufbau- und Bedienanleitung (DE)
Instructions for assembly and use (GB)
Instructions de montage et d'utilisation (FR)
Richtlijnen en montagehandleiding (BE)
Instrucciones de montaje y manejo (ES)
Istruzioni per il montaggio e l'impiego (IT)
Montage- op betjeningsvejledning (DK)
összeállítási és kezelési útmutató (HU)
Instrukcja montażu i użytkowania (PL)
Návod k montáži a obsluze (CZ)
Návod na montáž a použitie (SK)
Інструкція по монтажу та експлуатації (UA)
Інструкція по сборке и использованию (RU)

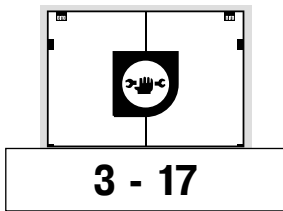
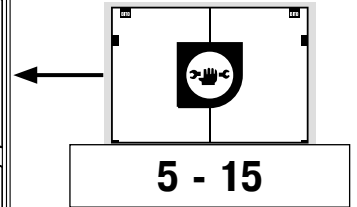
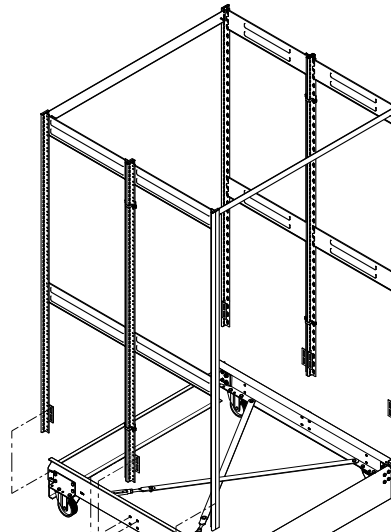
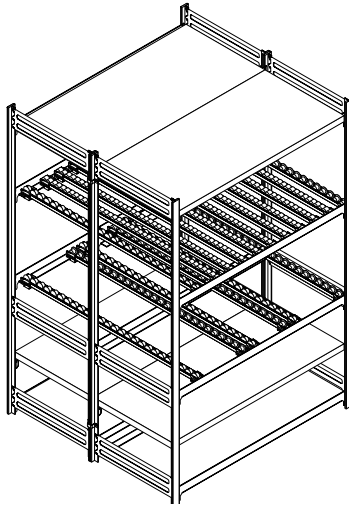


www.bitto.com

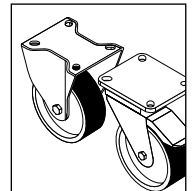
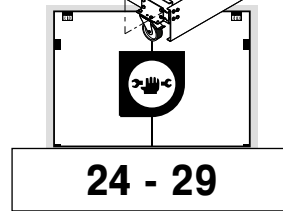


SDS-T direct

verfahrbar/mobile

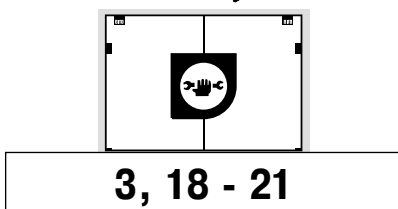
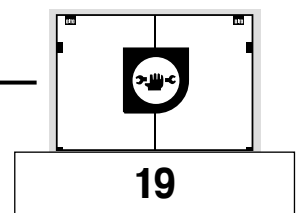
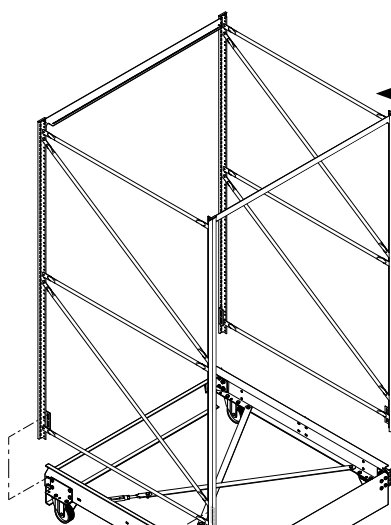
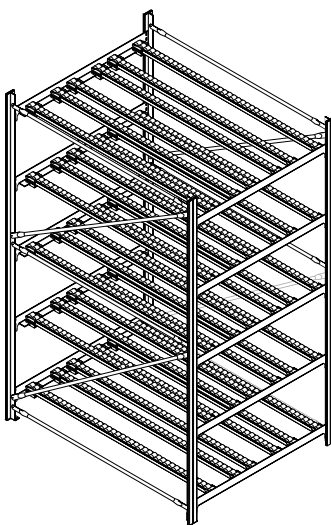


+

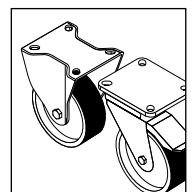
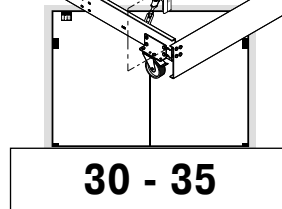


SDS-T solution

verfahrbar/mobile



+



i BGR 234

BGR 234

i **1**

i

i

i Nm **# 8,13,17**

i

QR-Code

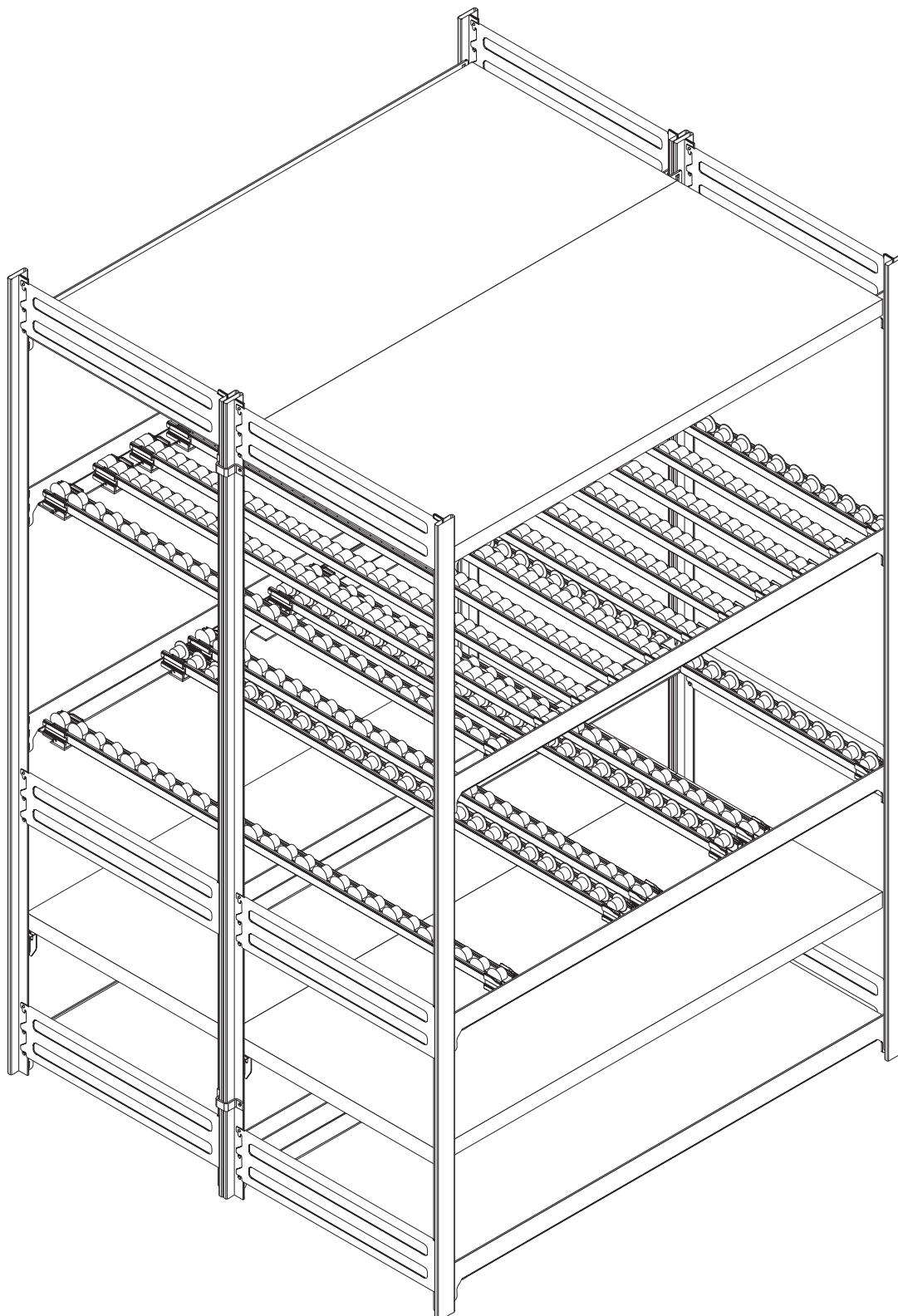
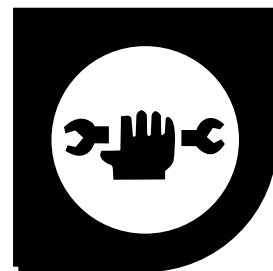
QR-Code

QR-Code App

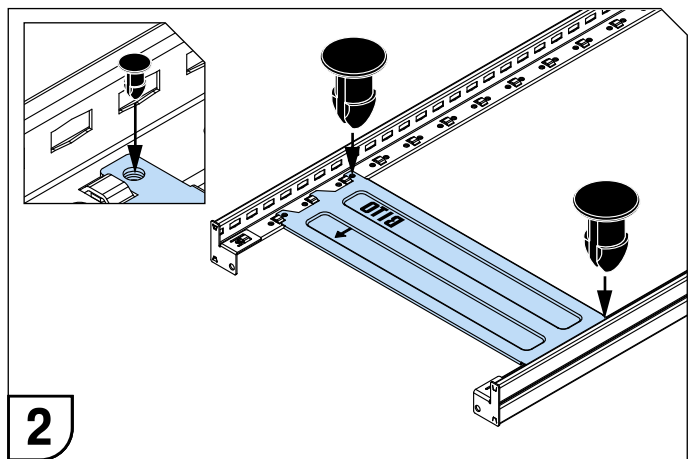
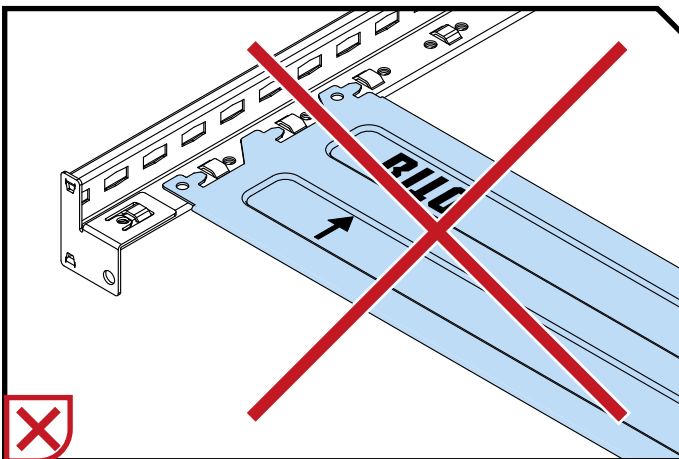
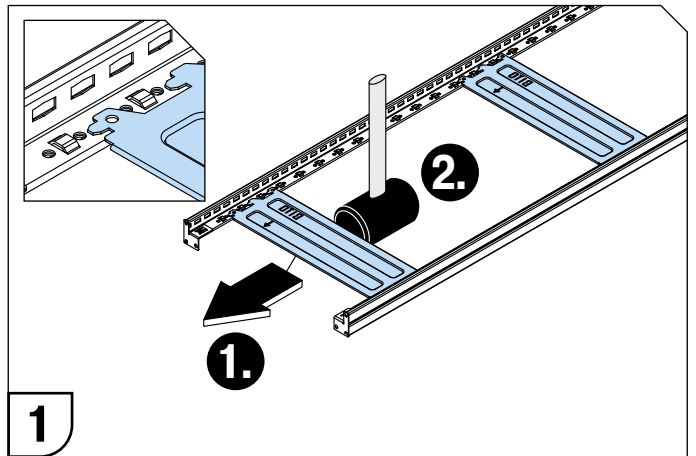
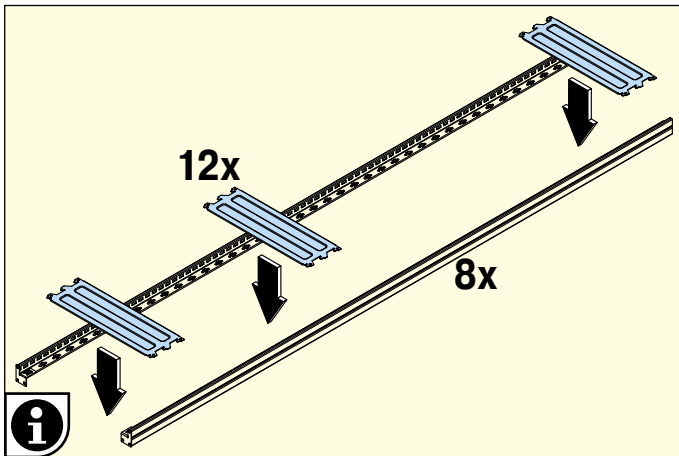
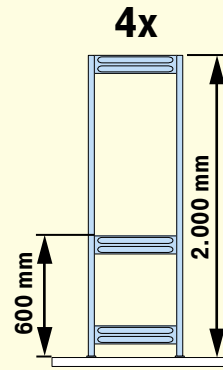
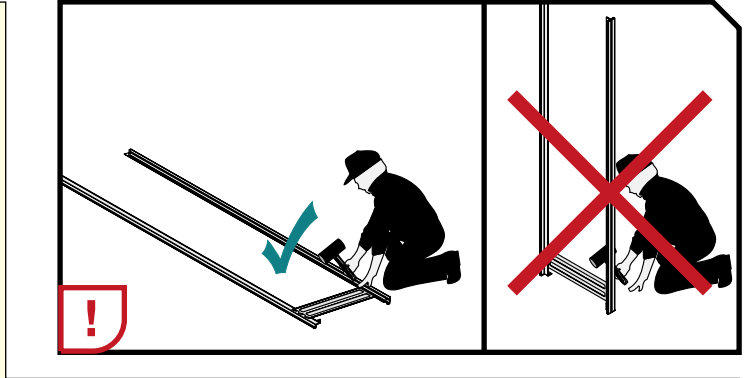
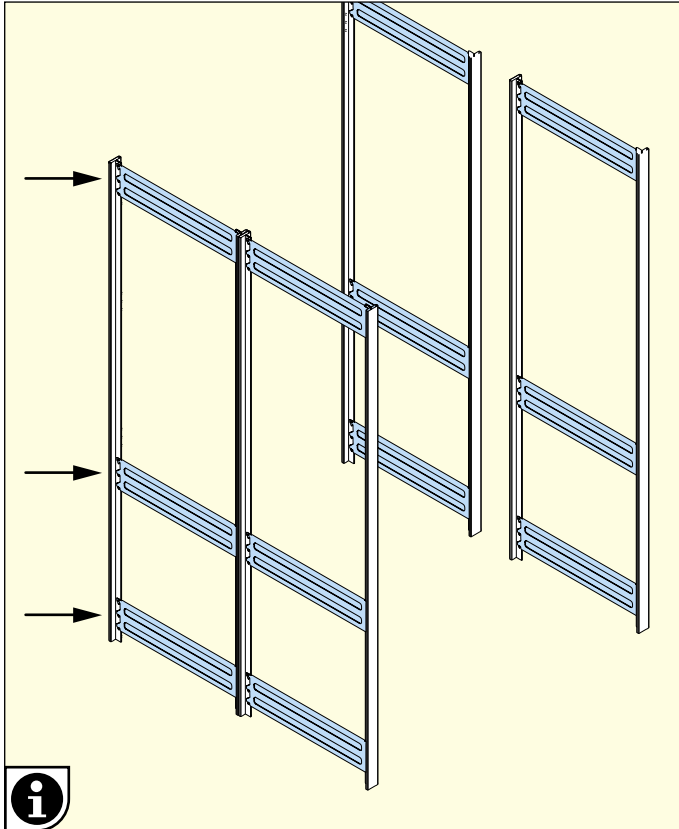
<http://bito.com>

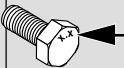
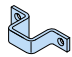
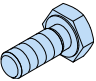




SDS-T direct

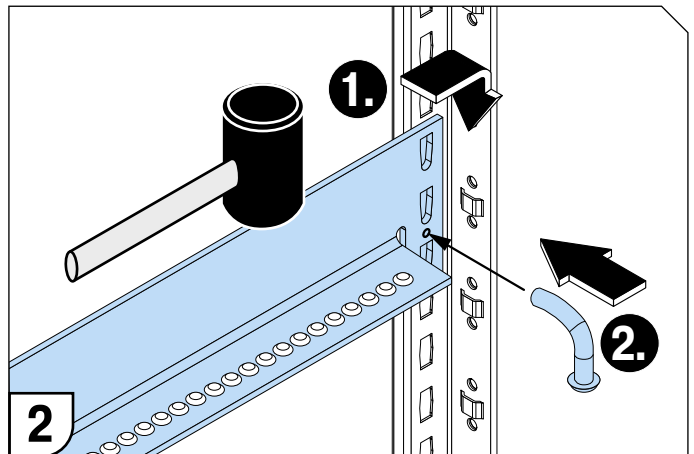
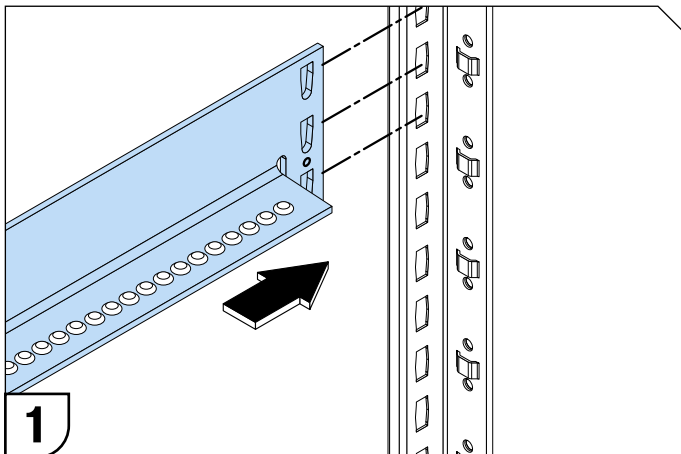
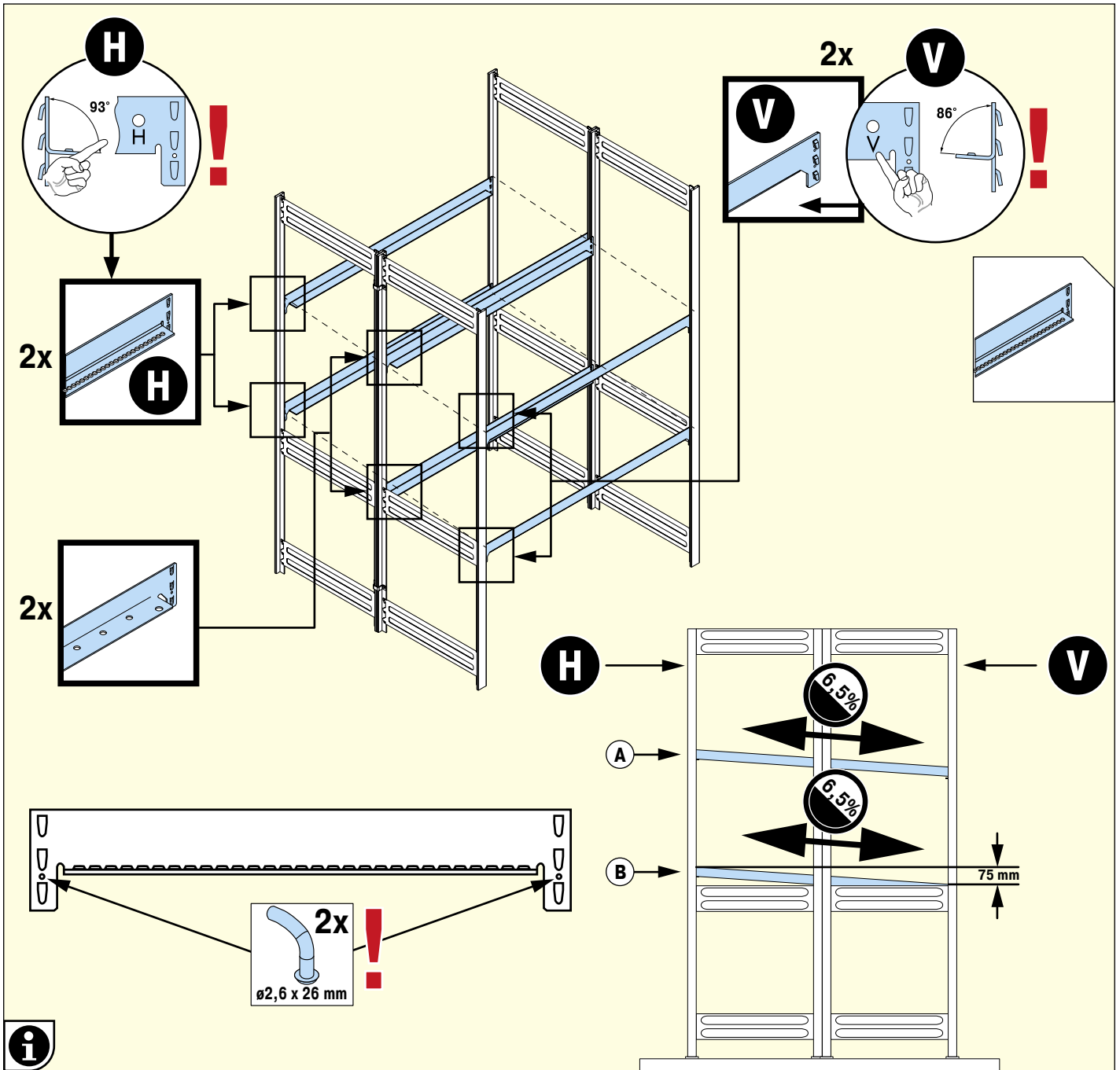


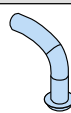
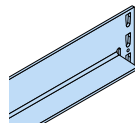
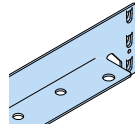
SDS-T direct

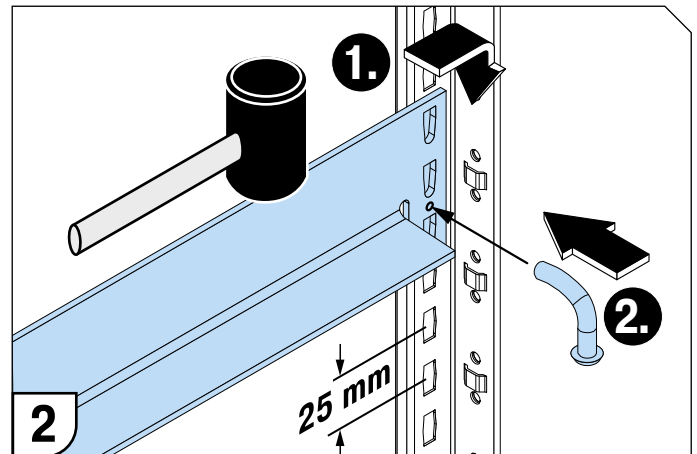
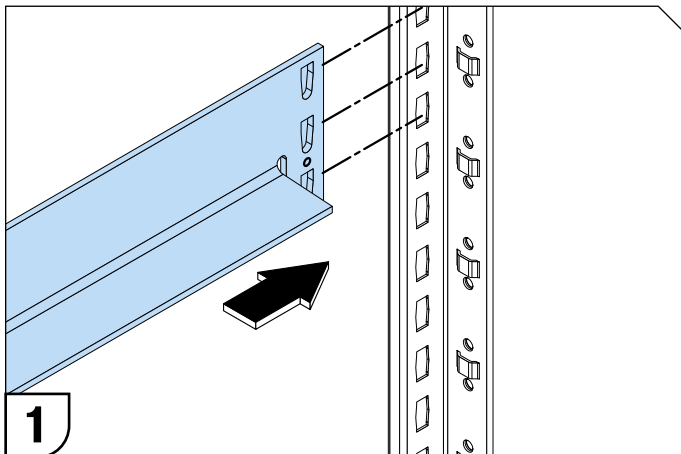


				
1				8x
2		M5x16 mm DIN EN ISO 4017	8.8	8x
3		Ø5,3 DIN EN ISO 7089		16x
4		M5 DIN EN ISO 7042	8	8x

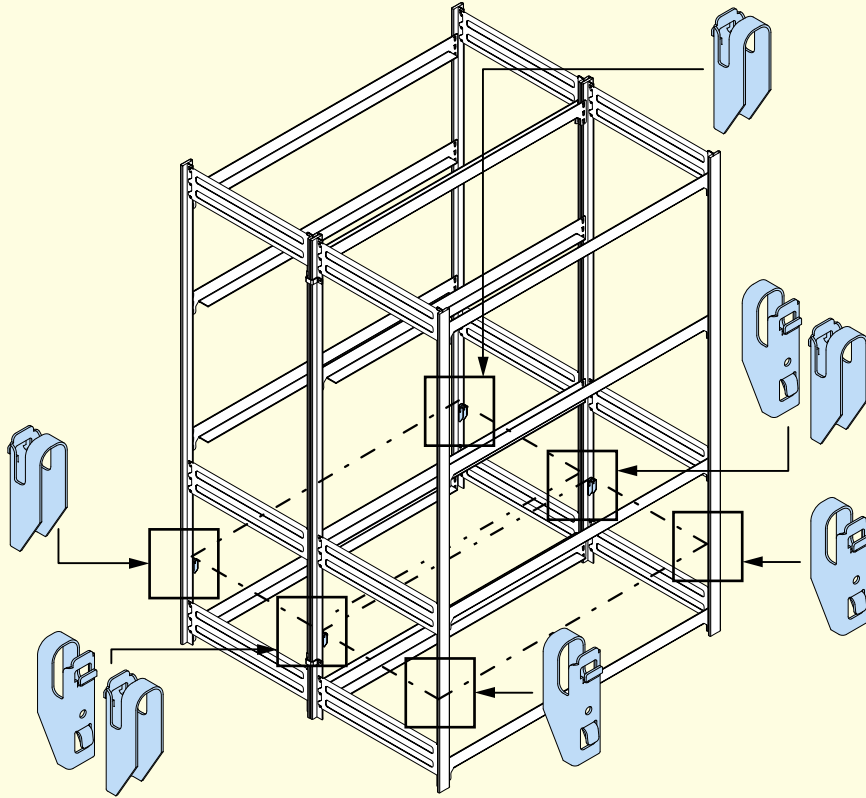
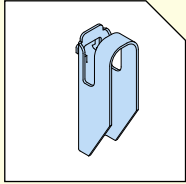
SDS-T direct

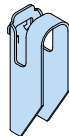


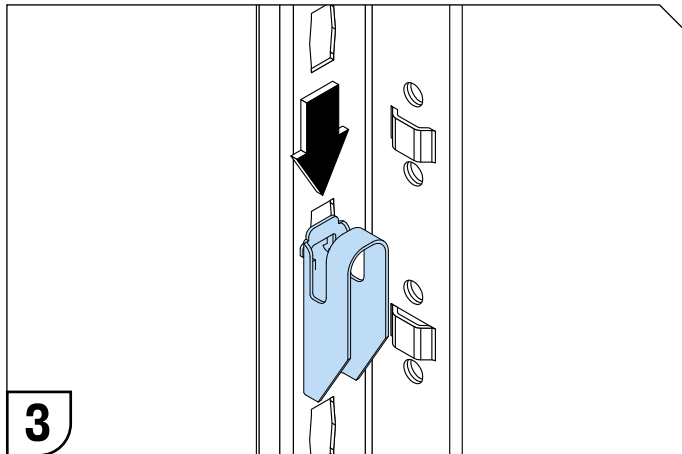
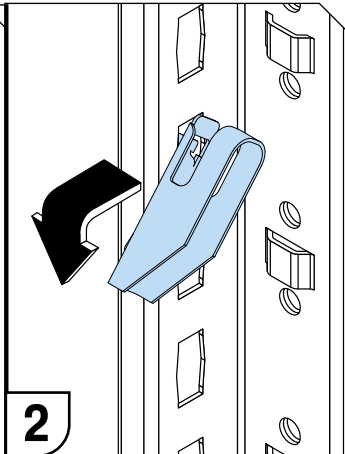
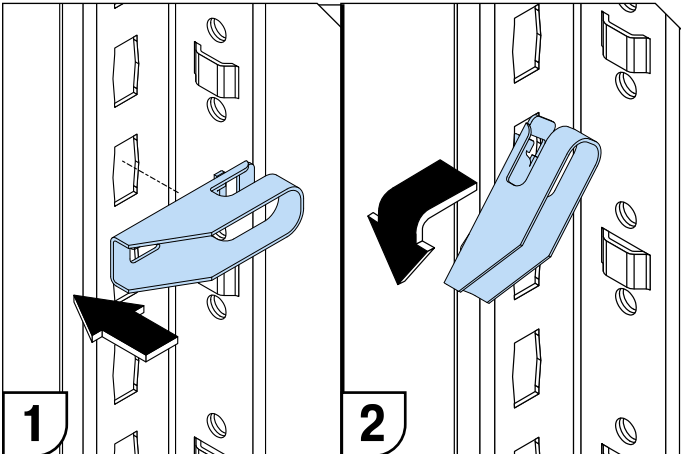
①	 ø2,6 x 26 mm	28x
②		4x
③		4x

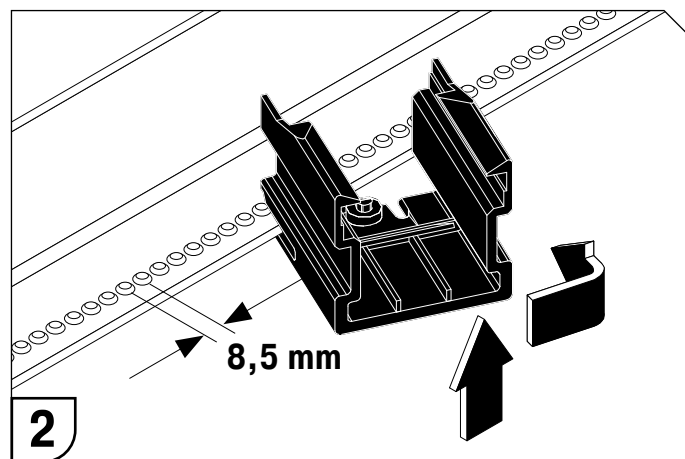
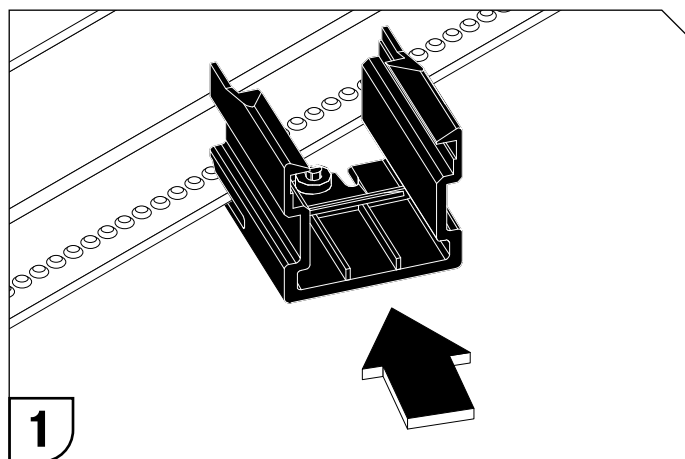
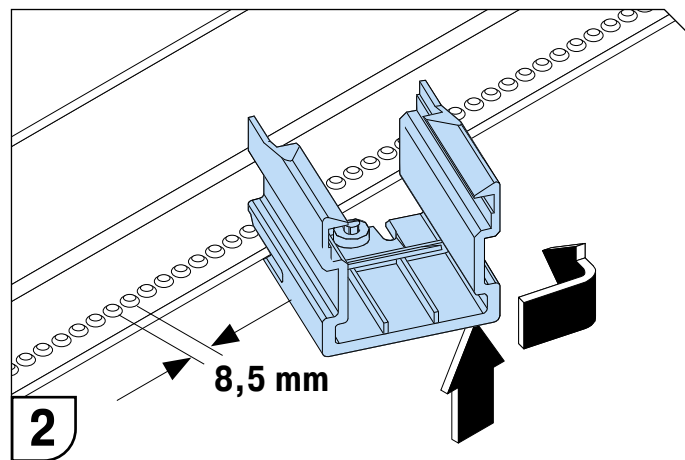
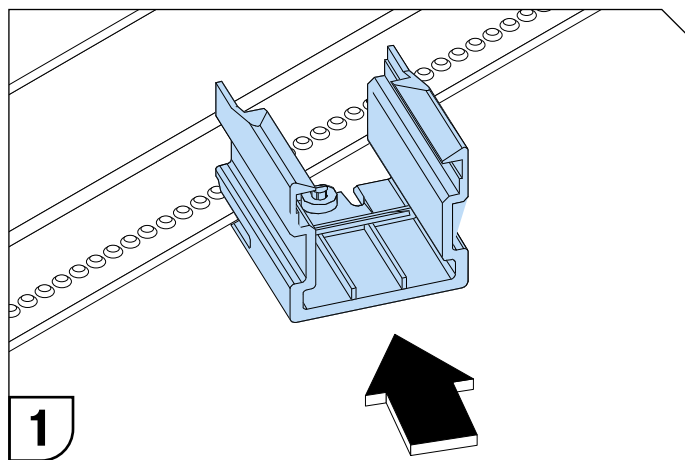
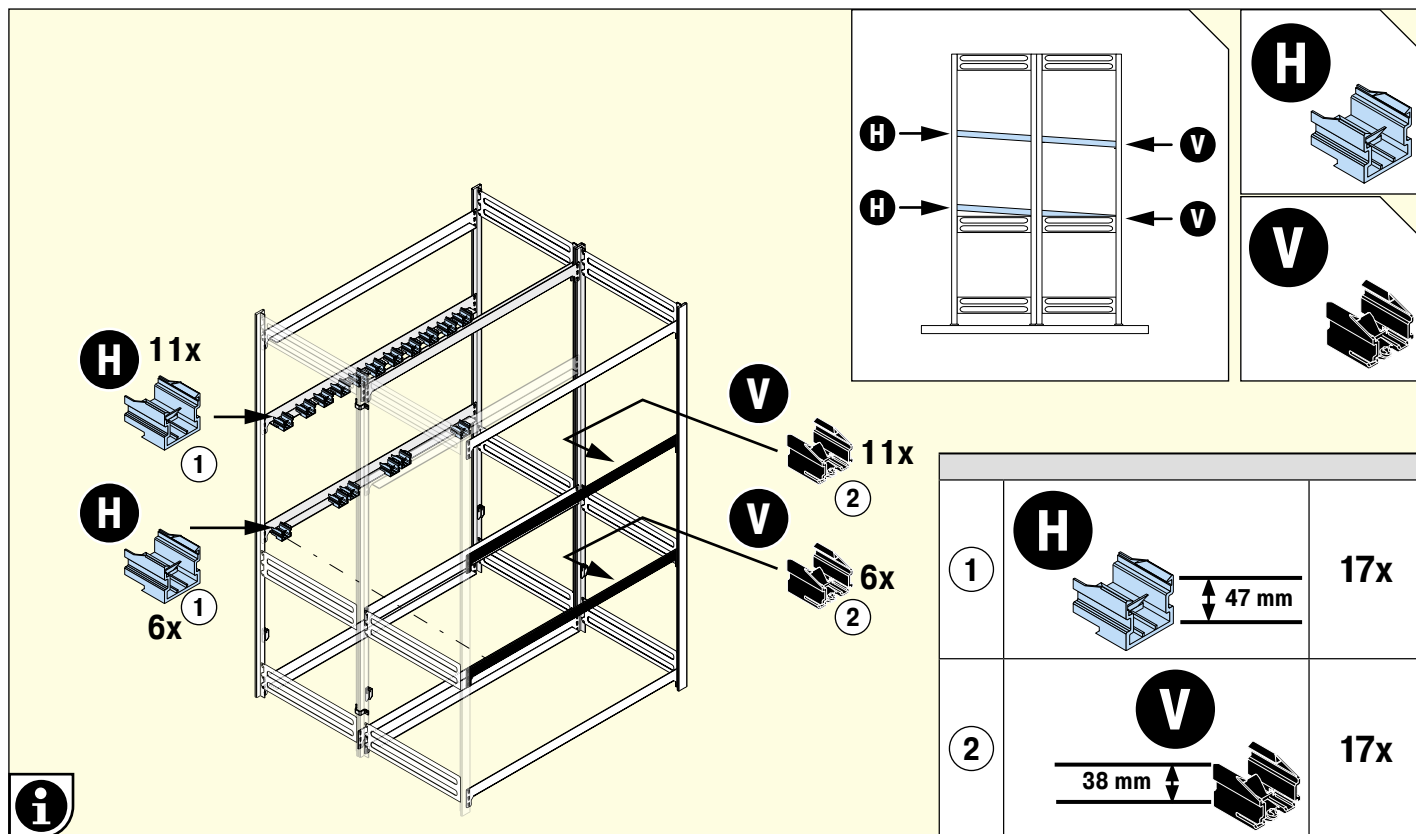


SDS-T direct

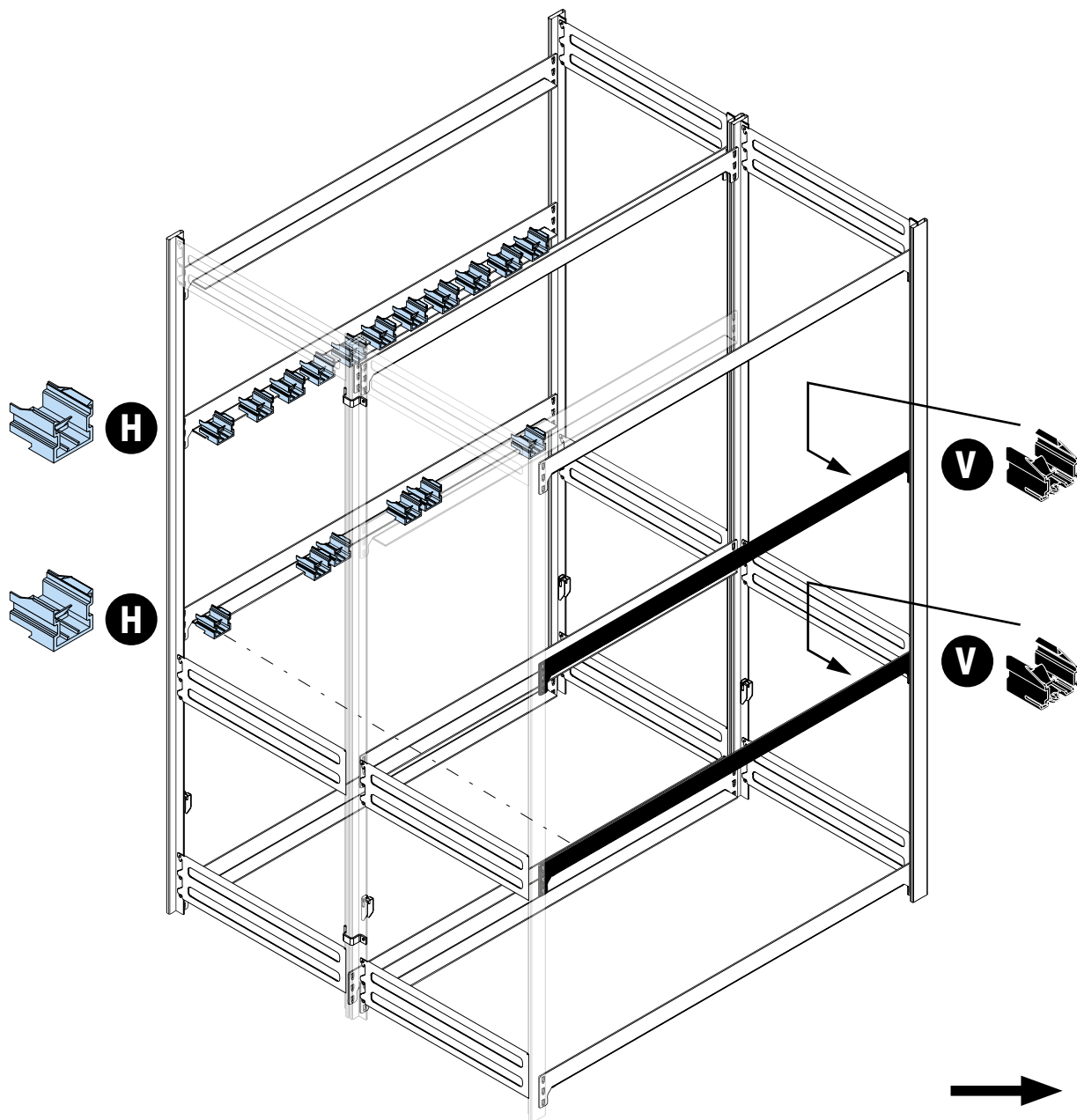
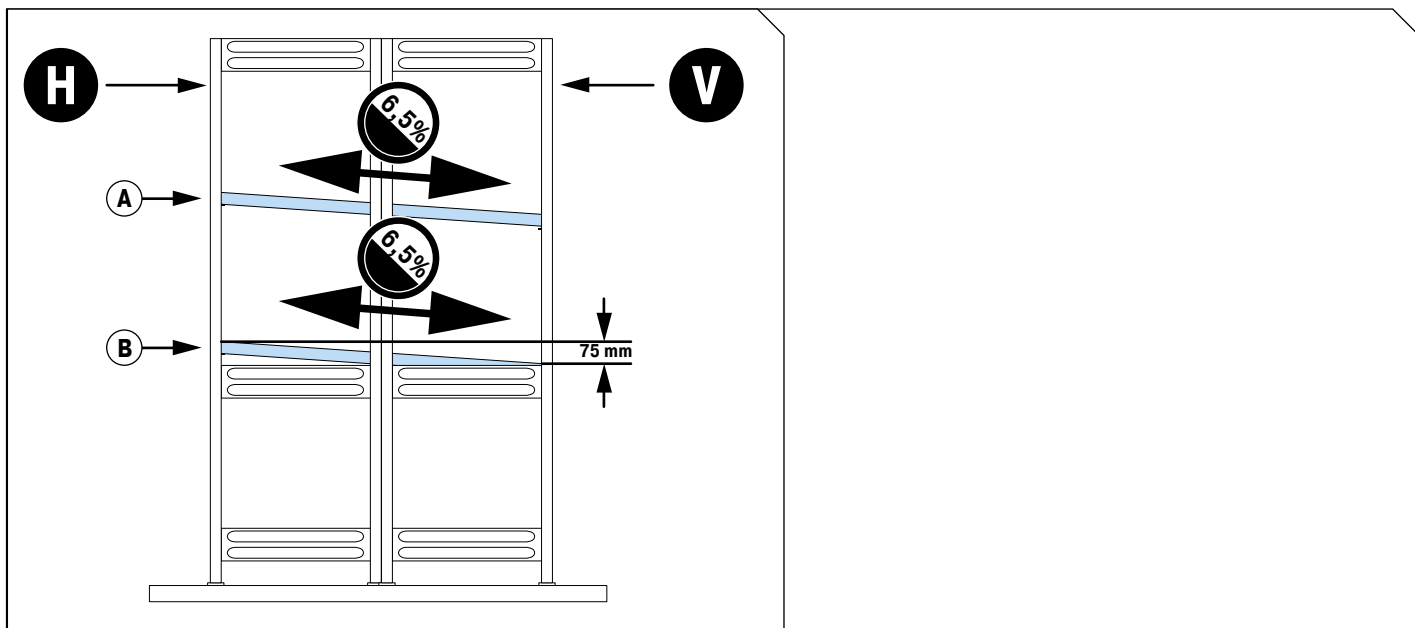


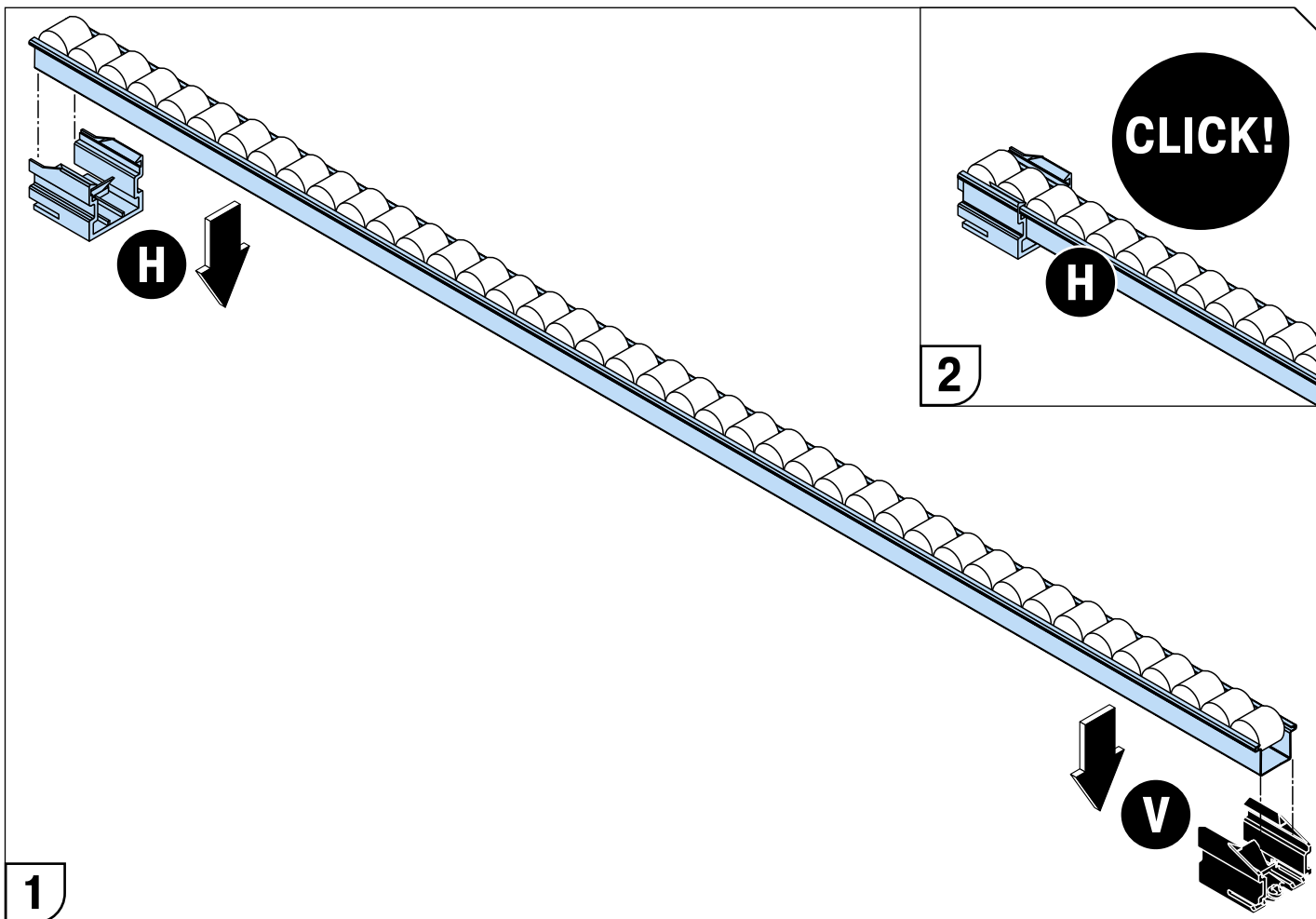
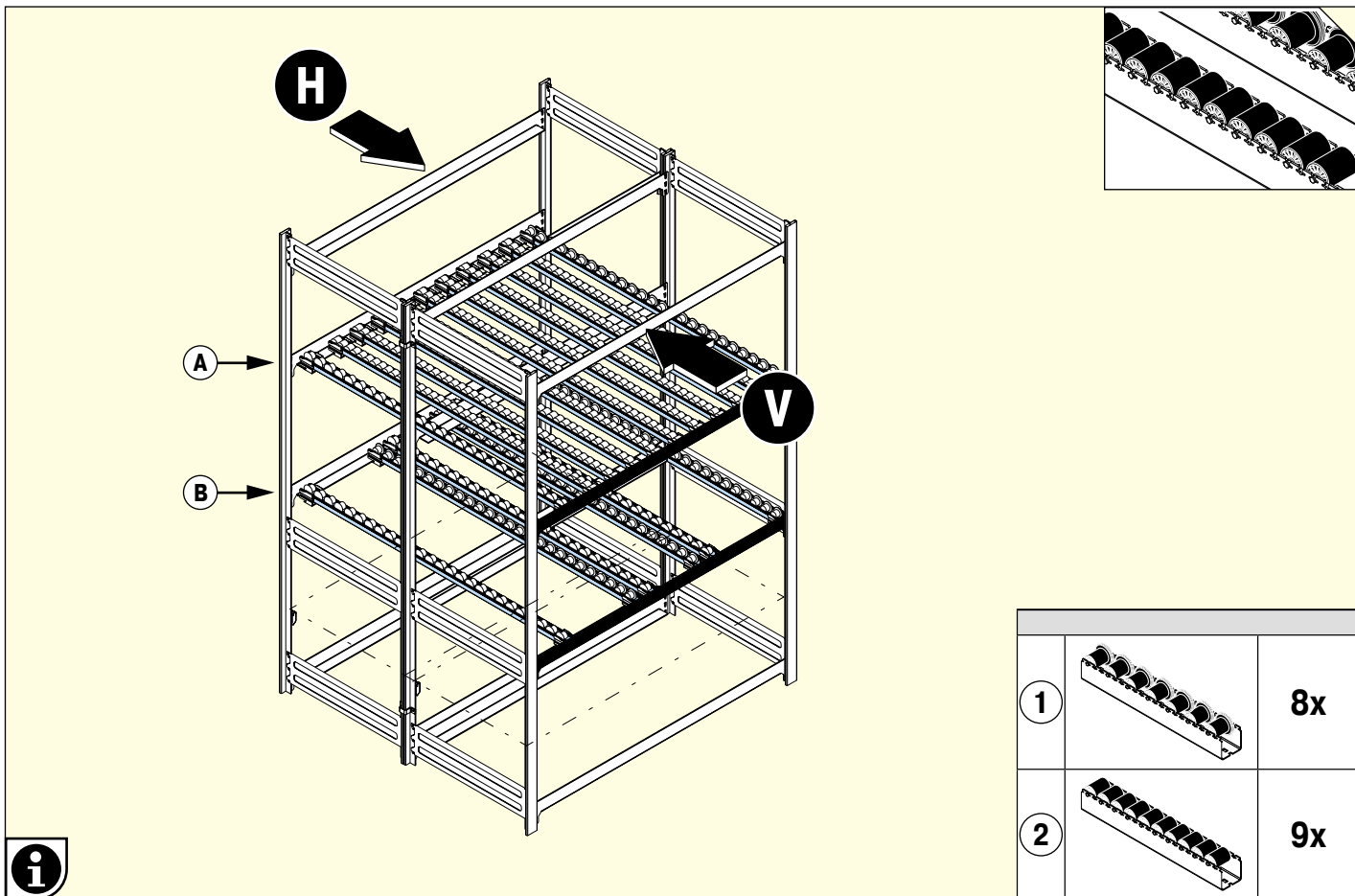
		8x
--	---	-----------





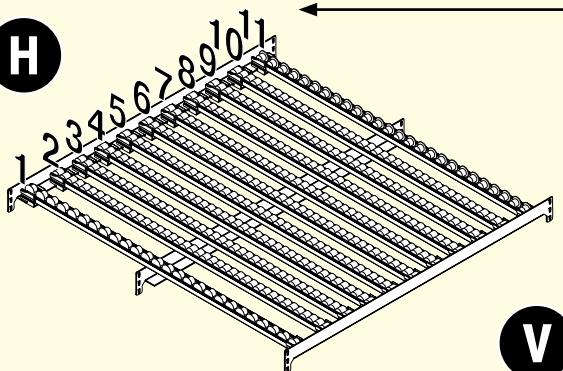
SDS-T direct



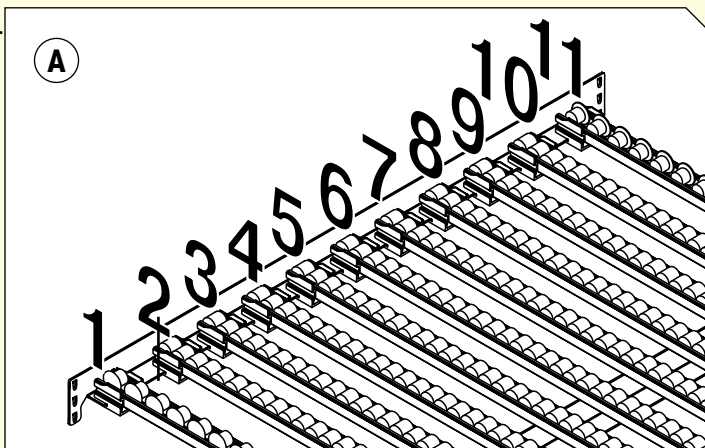


SDS-T direct

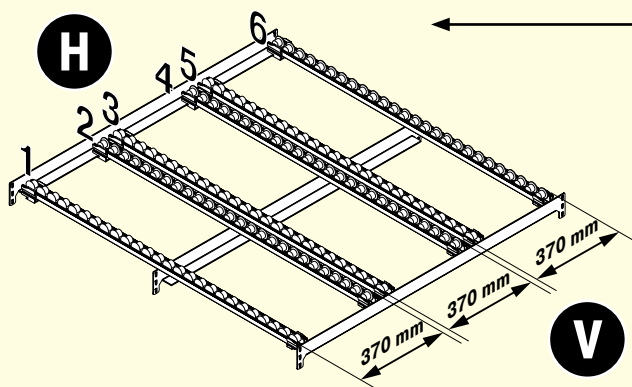
H



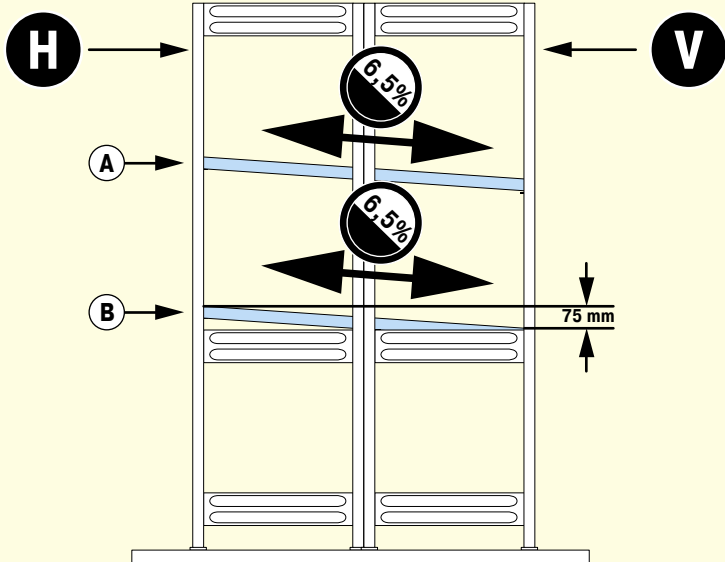
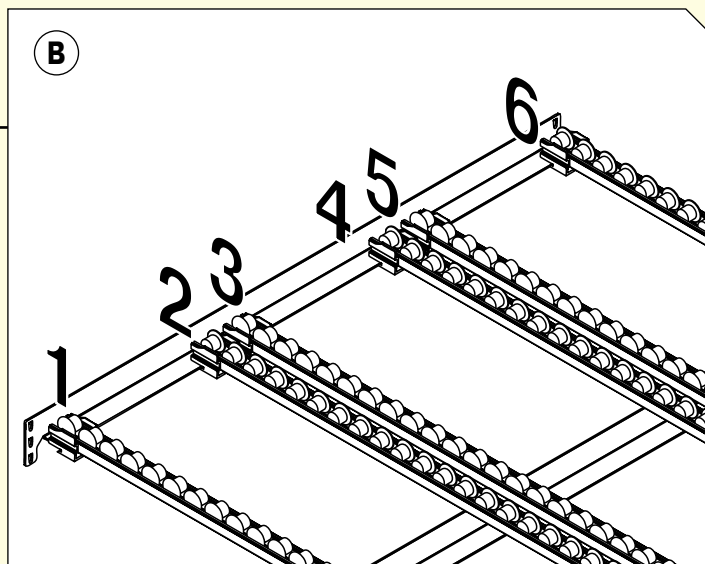
A

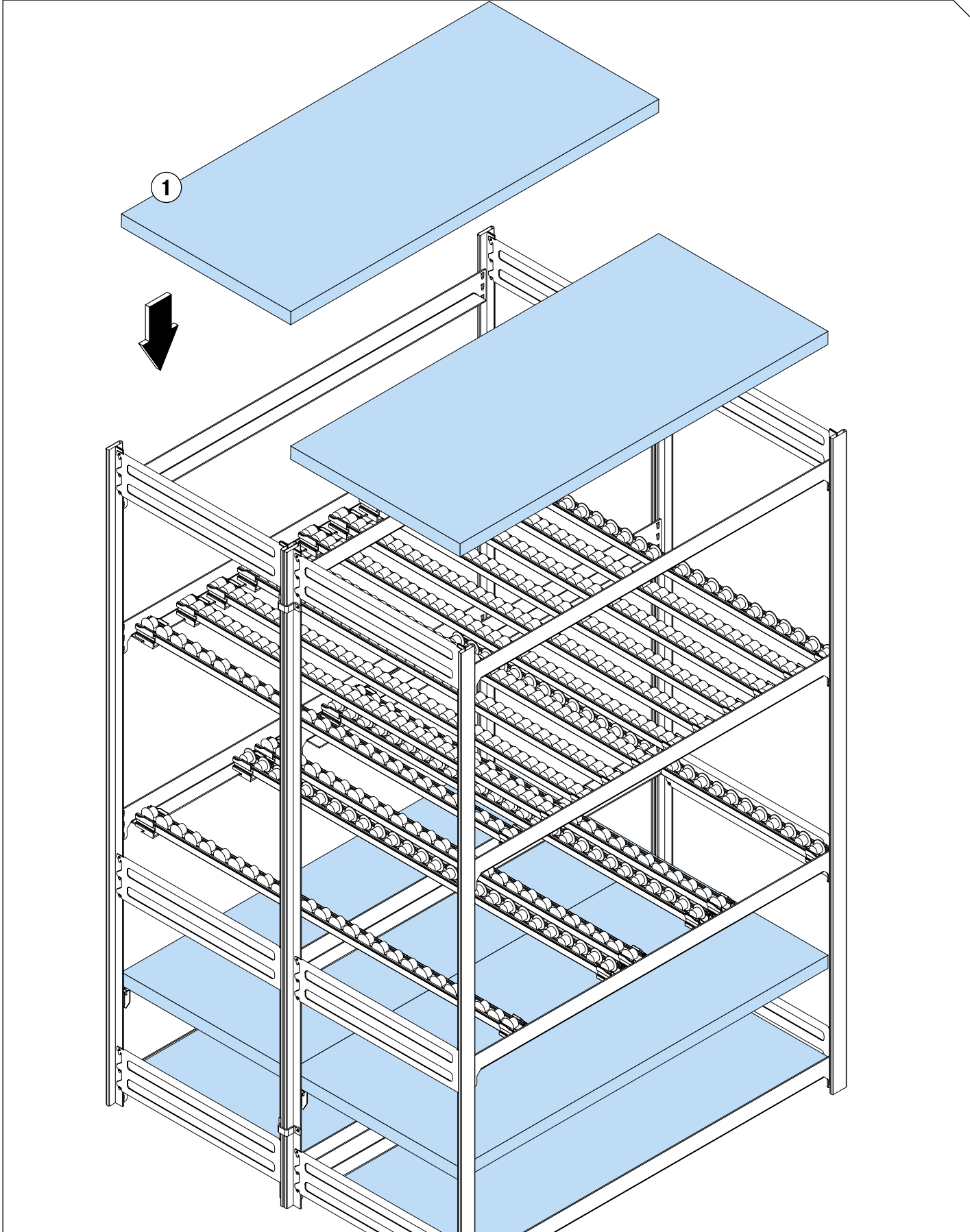


H

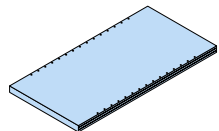


B





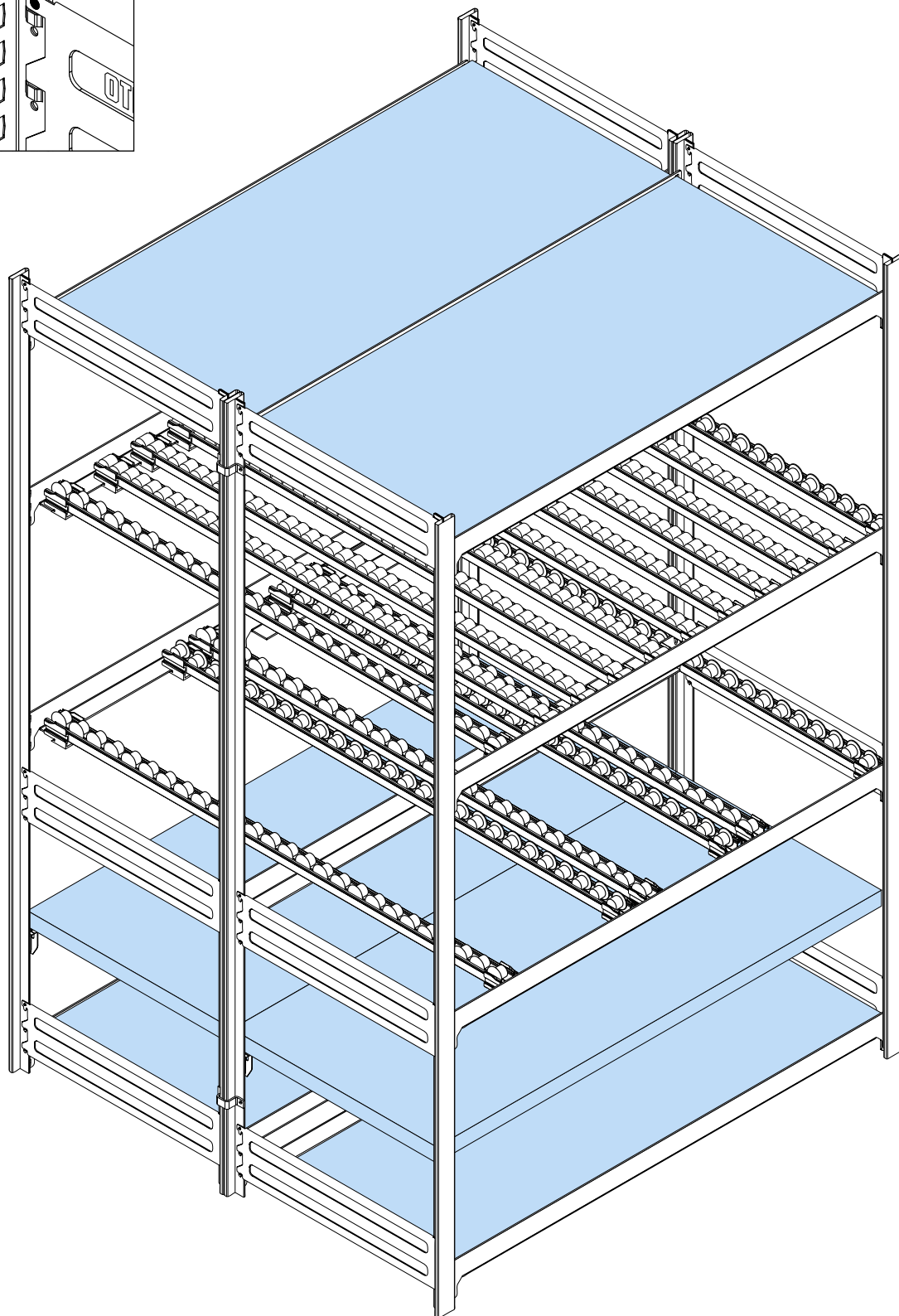
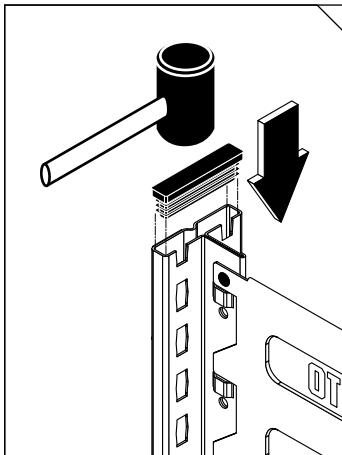
1



6x

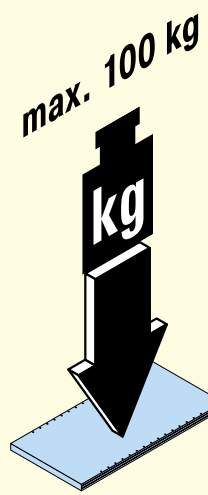
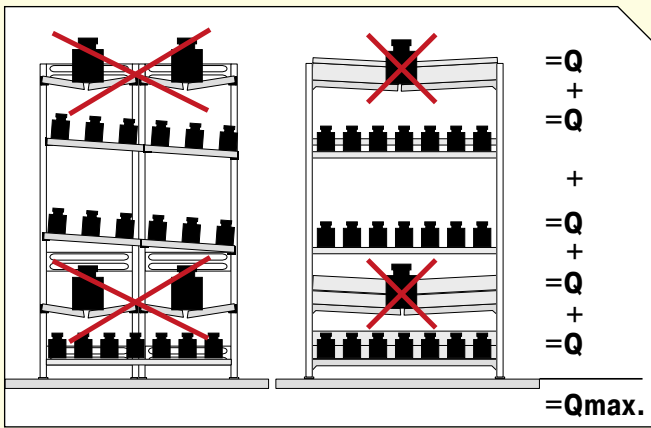


SDS-T direct



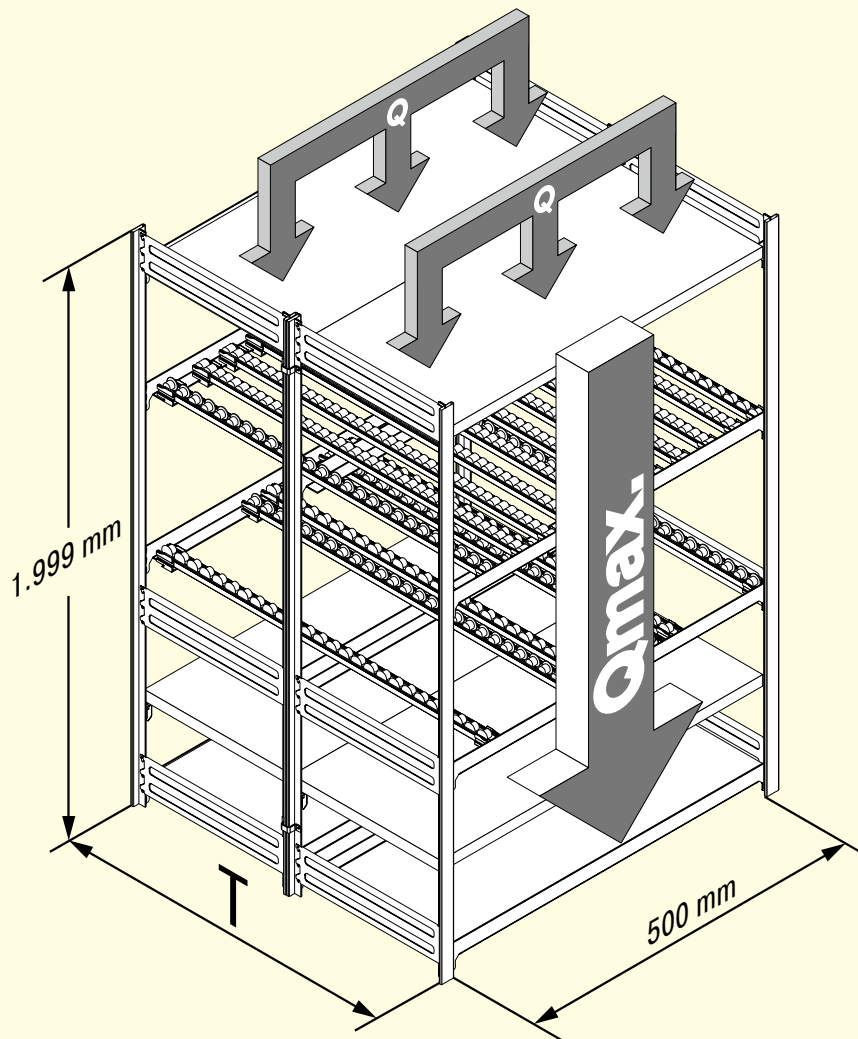
BEREITSTELLREGAL | SUPPLY RACKING





! $\Sigma Q \leq Q_{max}$.

$Q_{max} = 2 \times 800 \text{ kg!}$

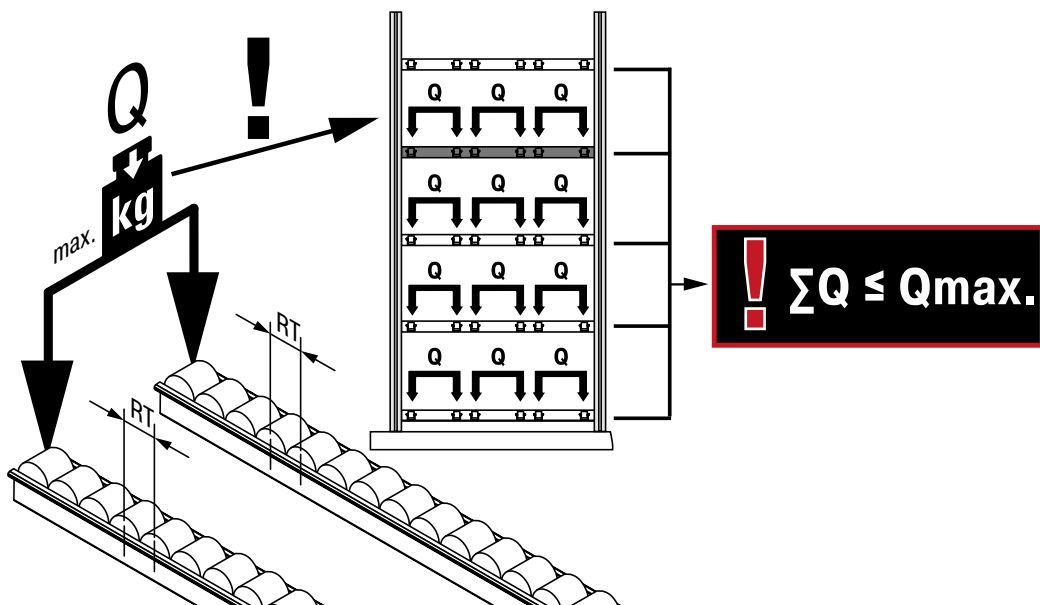


BEREITSTELLREGAL | SUPPLY RACKING

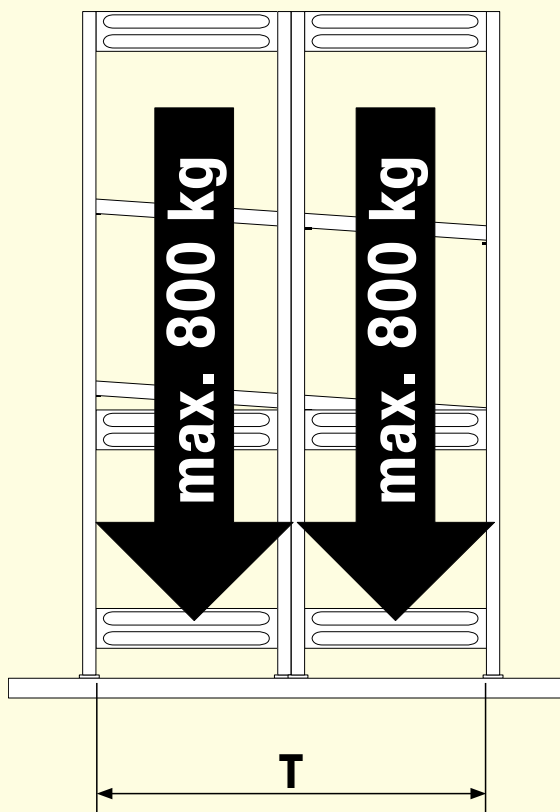


SDS-T direct

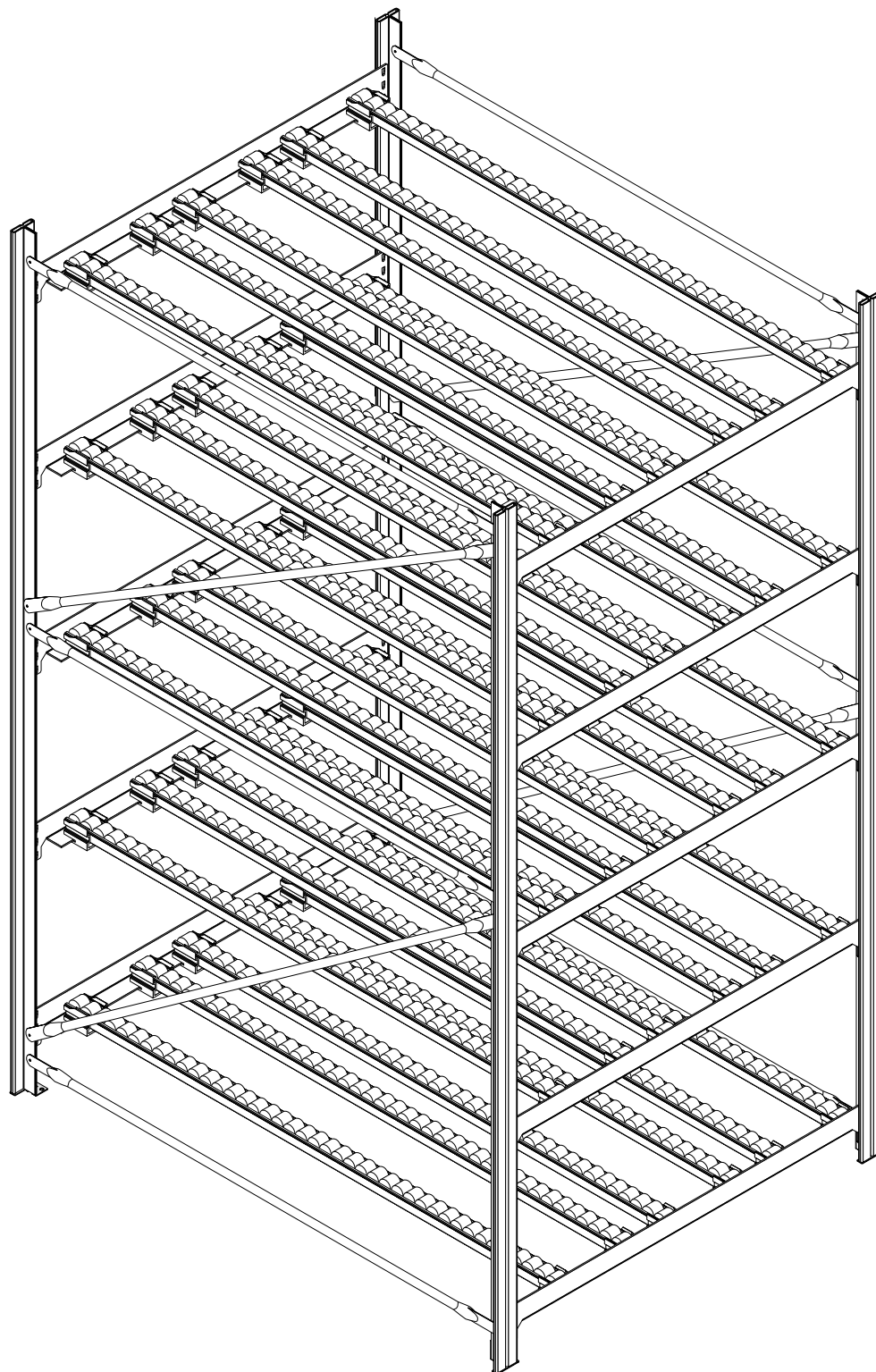
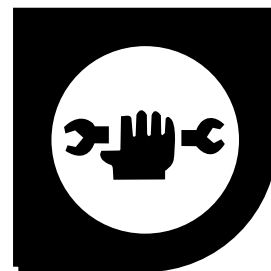
Qmax.=2 x 800 kg!



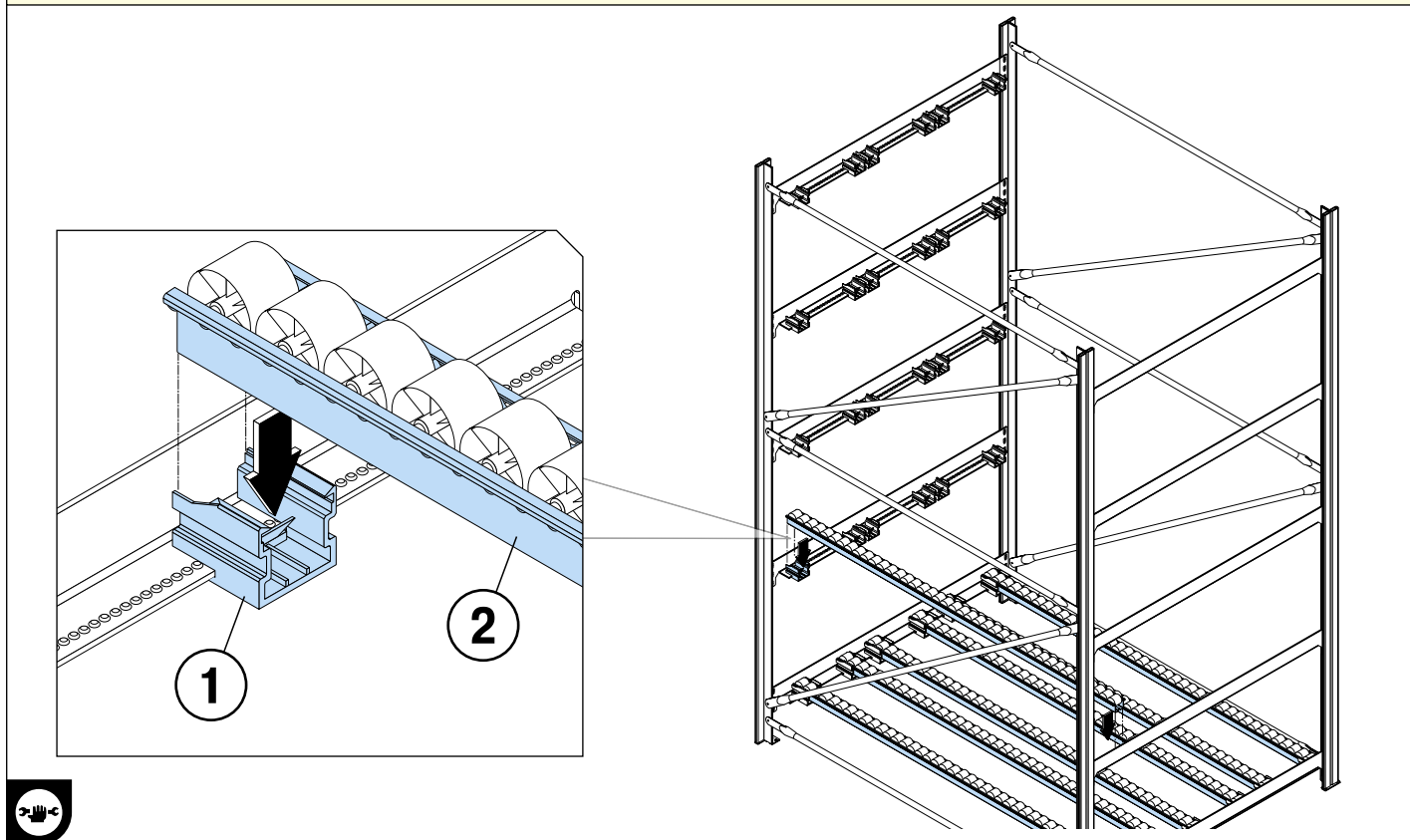
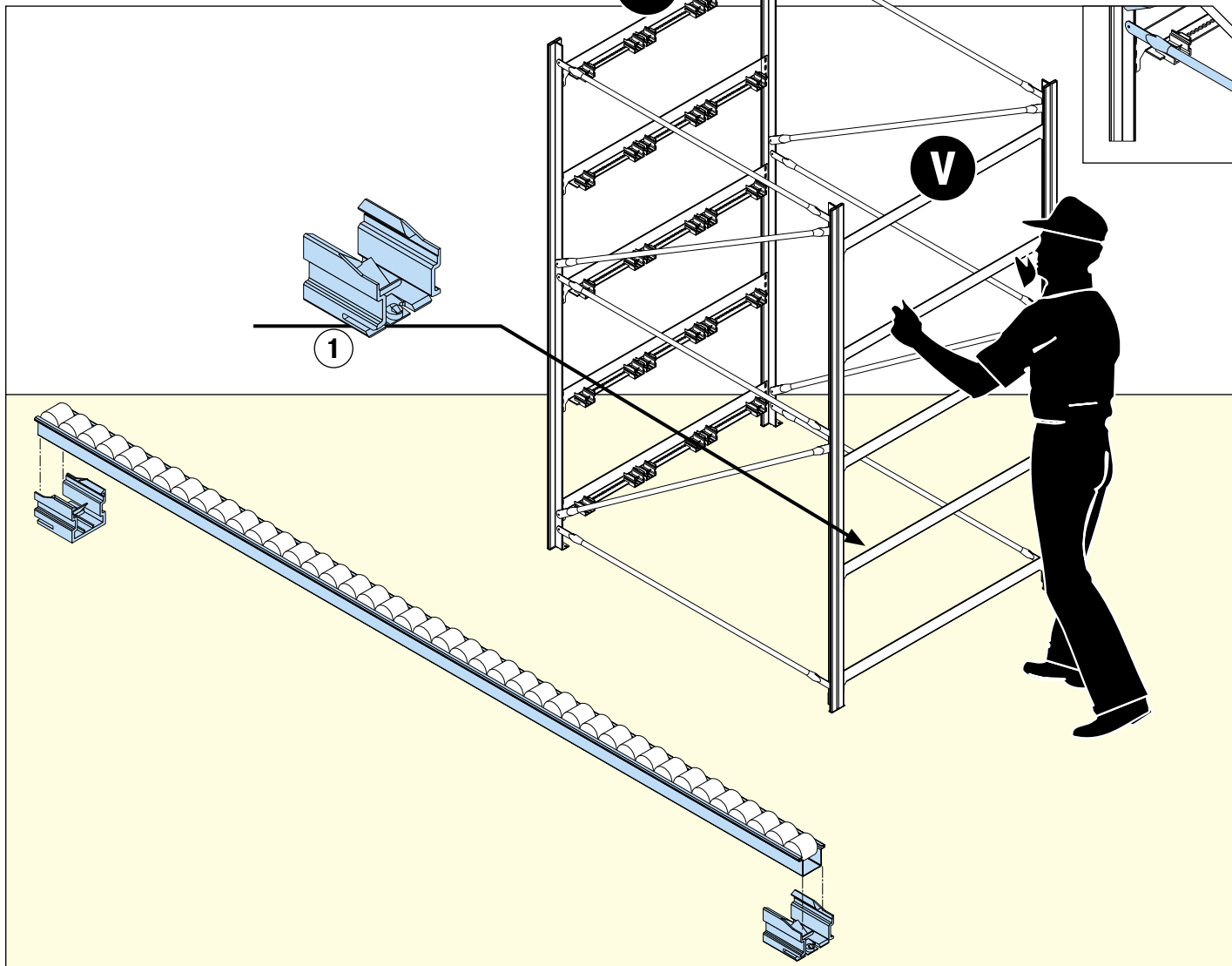
T	max. kg	
	RT 28 mm	RT 42 mm
624 mm	160 Kg	120 Kg
650 mm	152 Kg	125 Kg
824 mm	110 Kg	110 Kg
850 mm	105 Kg	105 Kg
1.050 mm	70 Kg	70 Kg
1.250 mm	50 Kg	50 Kg

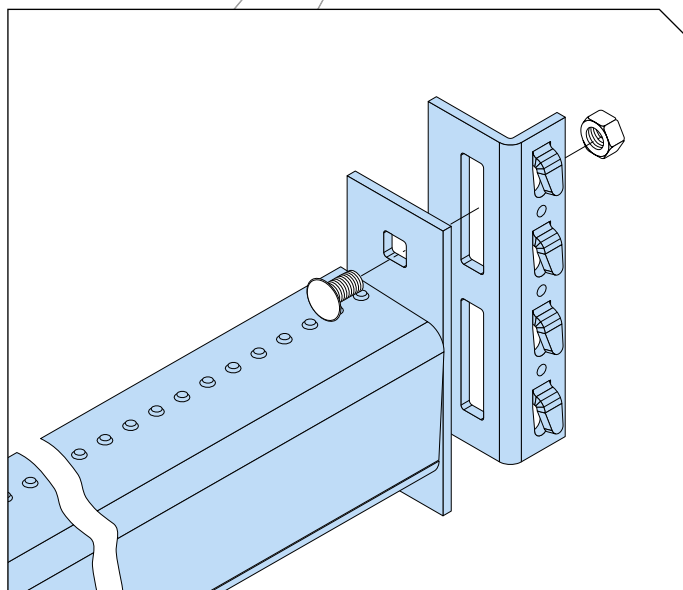


SDS-T solution



SDS-T solution





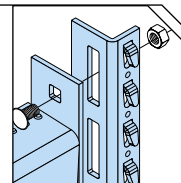
SDS-T solution

T: 624, 650, 824, 850, 1.024, 1.050, 1.224, 1.250, 1.270, 1.424 mm

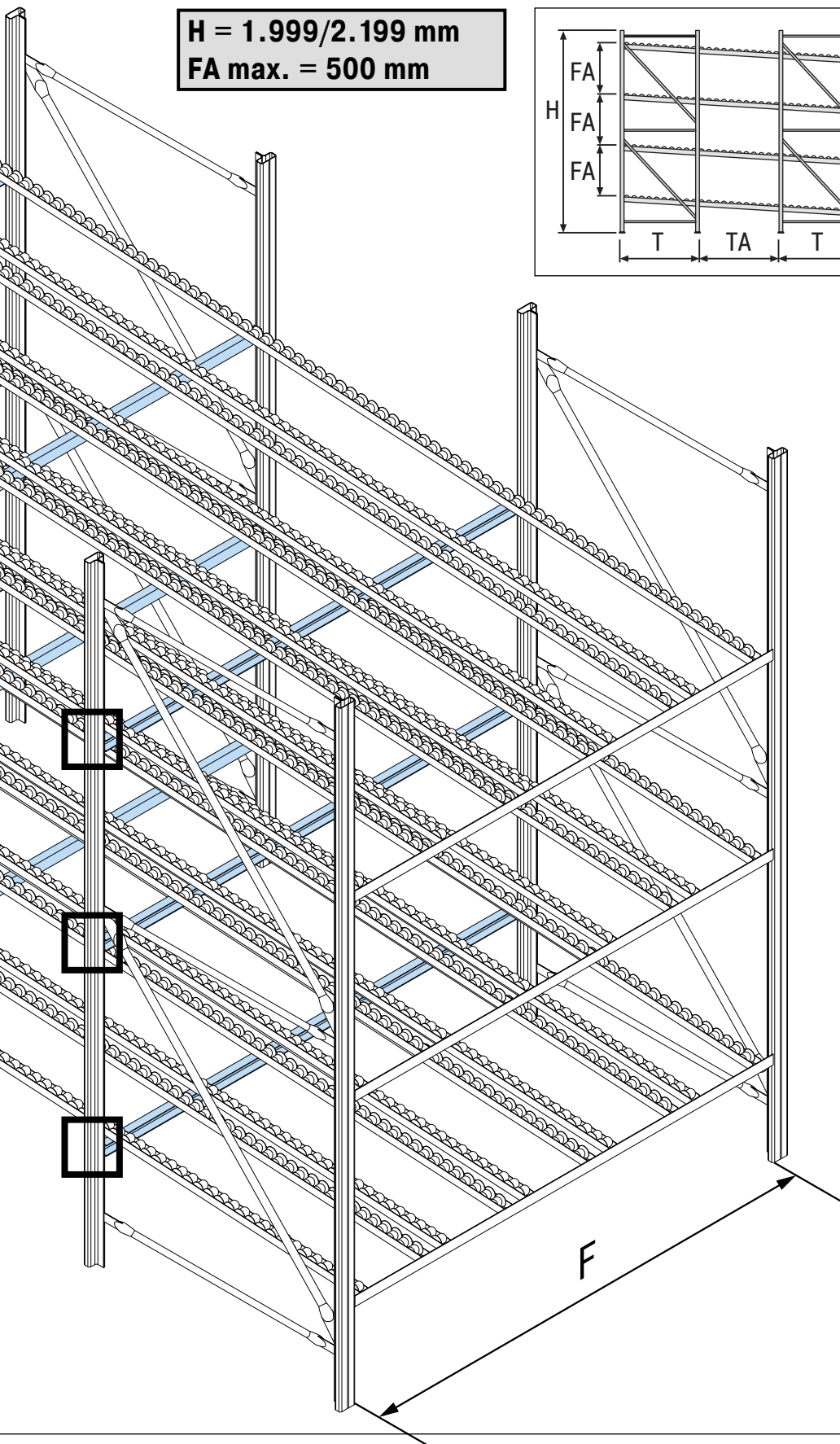
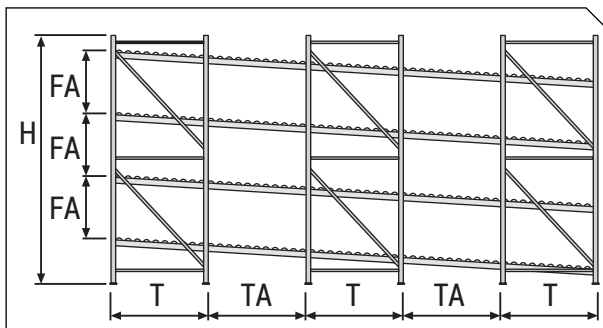
F

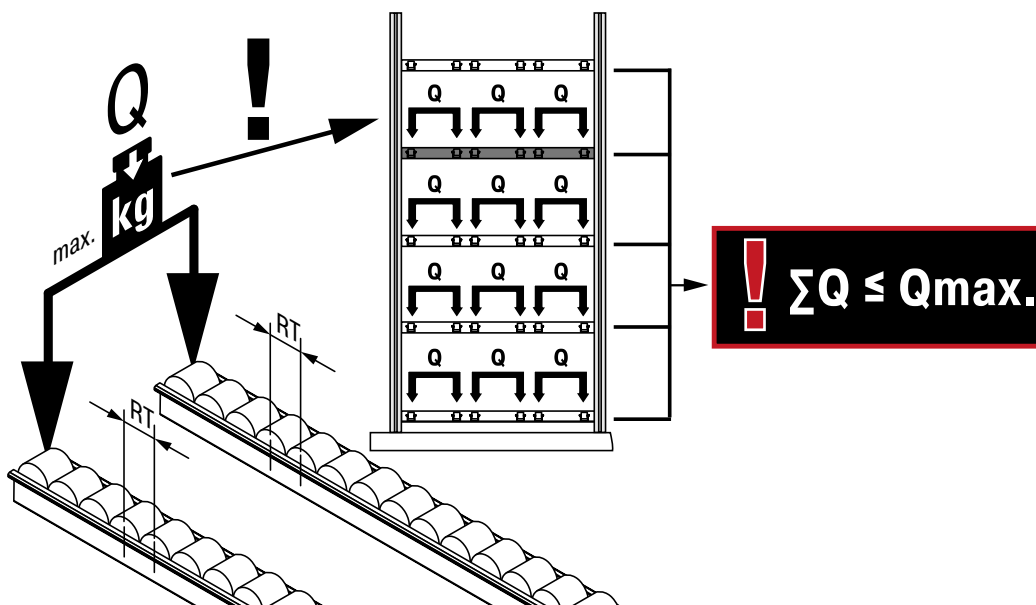
1.350 mm

1.800 mm



H = 1.999/2.199 mm
FA max. = 500 mm





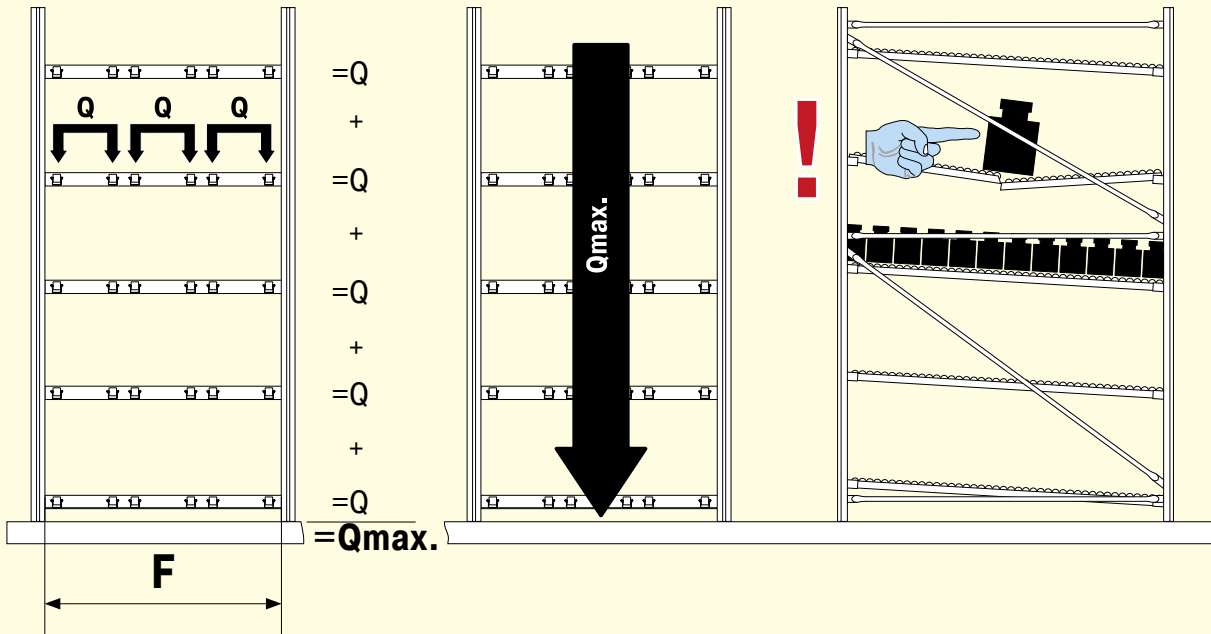
T: 624, 650, 824, 850, 1.024, 1.050, 1.224, 1.250, 1.270, 1.424 mm

F

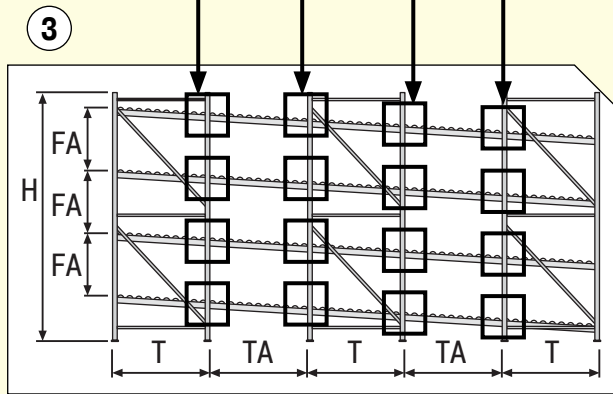
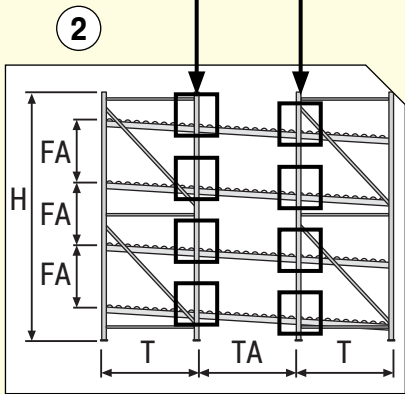
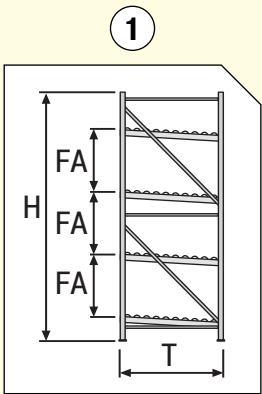
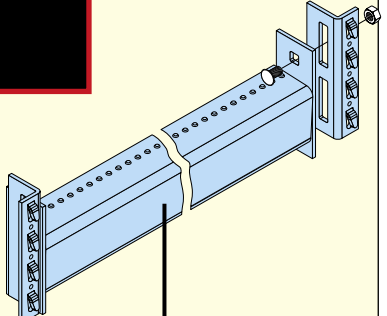
		1.350 mm		1.800 mm
	Q	Qmax	Q	Qmax
①	330 kg	2.300 kg	220 kg	1.100 kg
②	750 kg	3.750 kg	550 kg	2.750 kg
③	1.250 kg	6.250 kg	900 kg	4.500 kg

T=TA	max. kg	
	RT 28 mm	RT 42 mm
624 mm	160 Kg	120 Kg
650 mm	152 Kg	125 Kg
824 mm	110 Kg	110 Kg
850 mm	105 Kg	105 Kg
1.024 mm	75 Kg	75 Kg
1.050 mm	70 Kg	70 Kg
1.224 mm	53 Kg	53 Kg
1.250 mm	50 Kg	50 Kg
1.424 mm	40 Kg	40 Kg
1.270 mm	45 Kg	45 Kg

SDS-T solution



! $\Sigma Q \leq Q_{max.}$

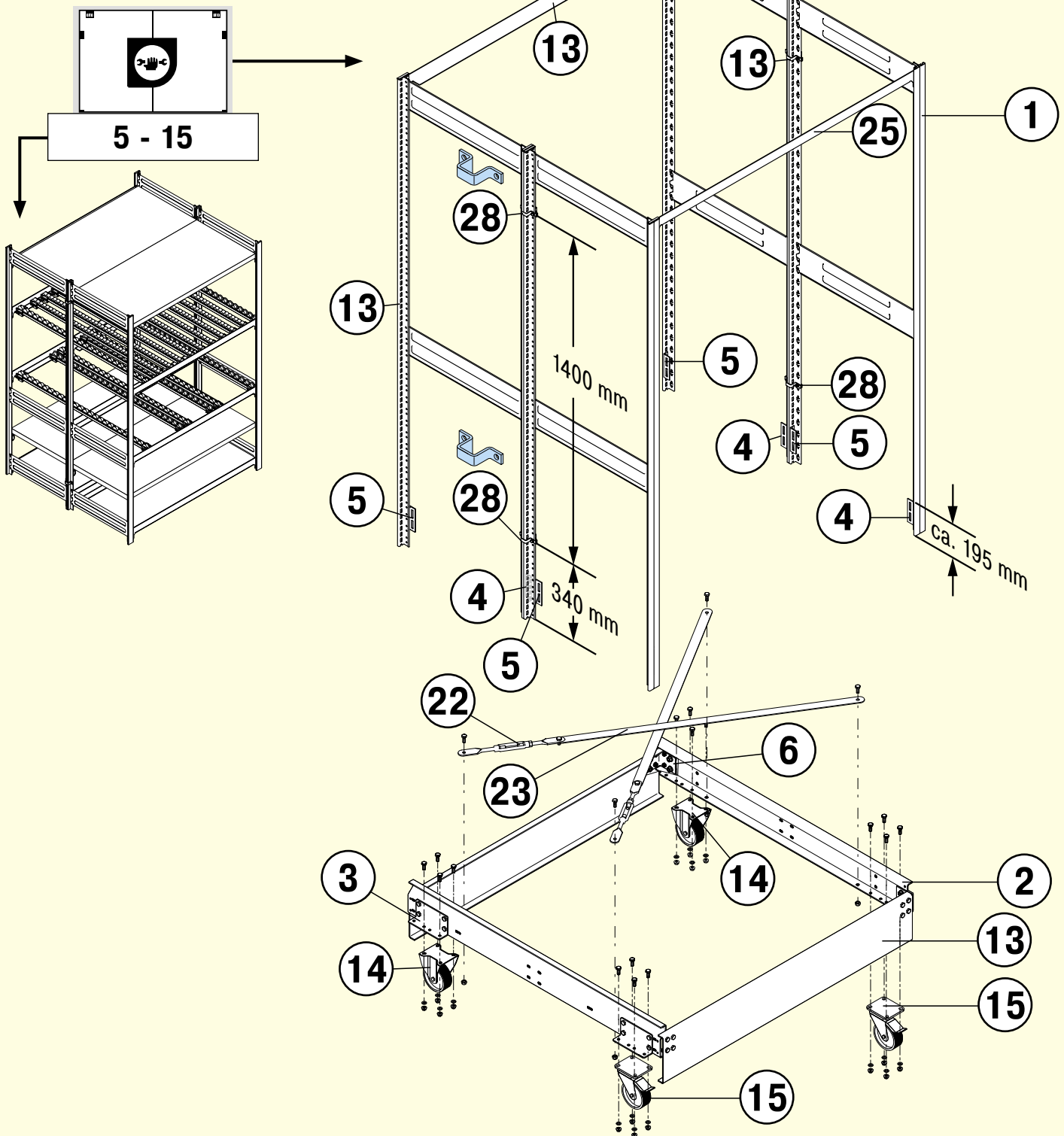


H = 1.999/2.199 mm
FA max. = 500 mm

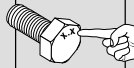
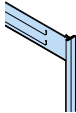
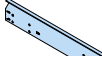





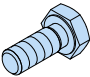




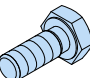

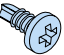








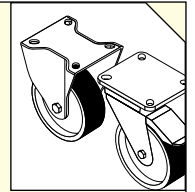
SDS-T direct verfahrbar/mobile

BEREITSTELLREGAL | SUPPLY RACKING

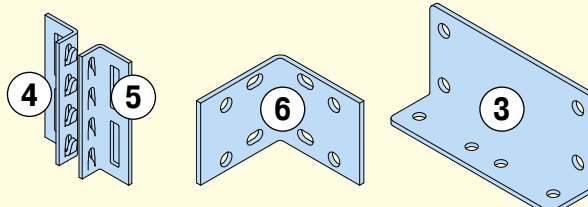


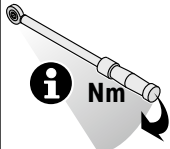
SDS-T direct

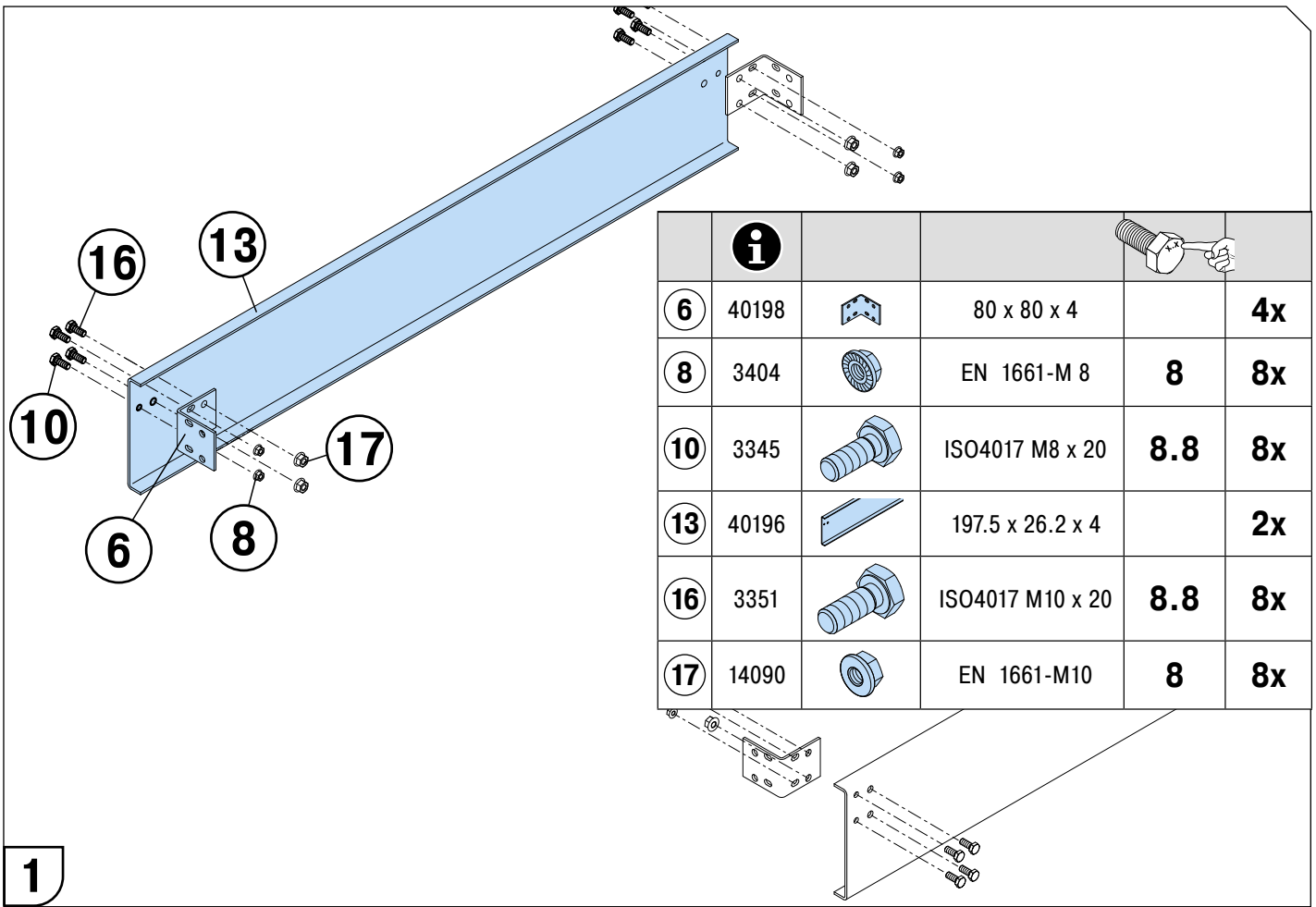
	i				
1	40197				4x
2	40194		Z4 x 129 x 1250		2x
3	25317		80 x 44 x 4		4x
4	7207				4x
5	7208				4x
6	40198		80 x 80 x 4		4x
8	3404		EN 1661-M 8	8	24x
10	3345		ISO4017 M8 x 20	8.8	40x
11	3399		ISO 7042-M 8	8	16x
13	40196		197.5 x 26.2 x 4		2x
14	16902				2x
15	16903				2x
16	3351		ISO4017 M10 x 20	8.8	22x
17	14090		EN 1661-M10	8	24x
18	11855		ISO15481		12x
22	3743				2x
23	33272		35 x 3 x 1125		2x
24	22960		ISO 7042-M10	8	6x
25	7711				10x
28	15969				8x
29	3431		ISO 7089-A		16x

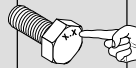


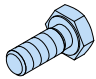
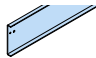
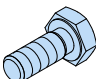



BEREITSTELLREGAL | SUPPLY RACKING

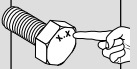


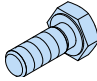



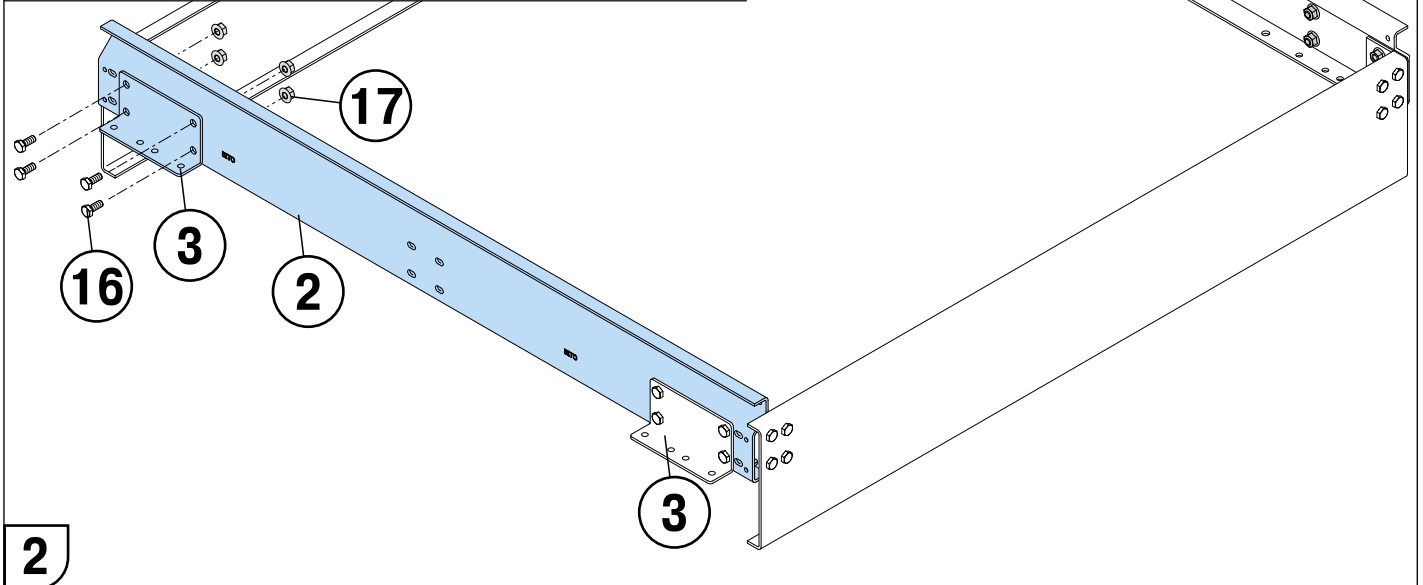
M6-8.8	8 Nm	
M8-8.8	22 Nm	
M10-8.8	45 Nm	
M10-10.9	70 Nm	
M12-8.8	70 Nm	
M12-10.9	110 Nm	



	i				
6	40198		80 x 80 x 4		4x
8	3404		EN 1661-M 8	8	8x
10	3345		ISO4017 M8 x 20	8.8	8x
13	40196		197.5 x 26.2 x 4		2x
16	3351		ISO4017 M10 x 20	8.8	8x
17	14090		EN 1661-M10	8	8x

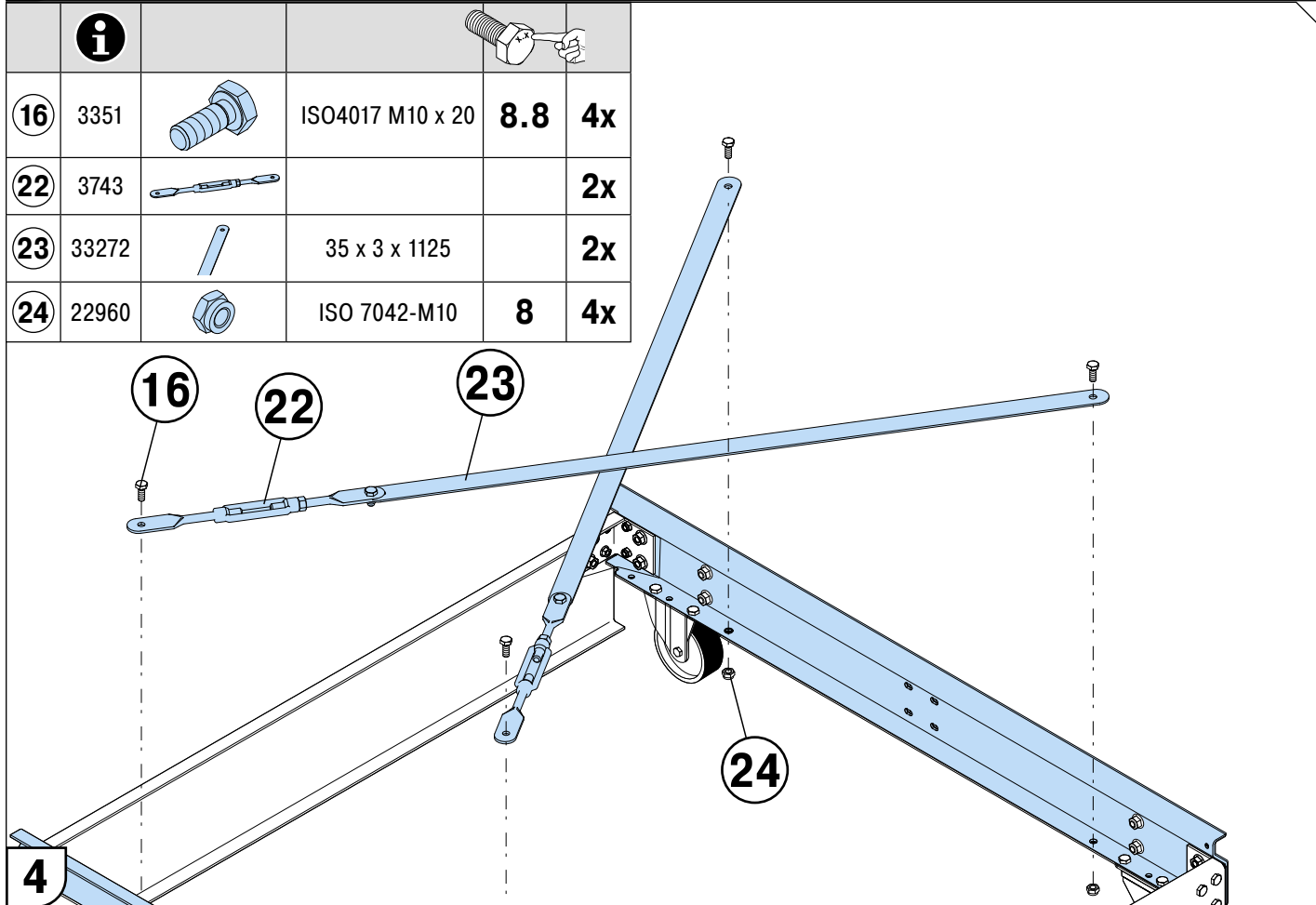
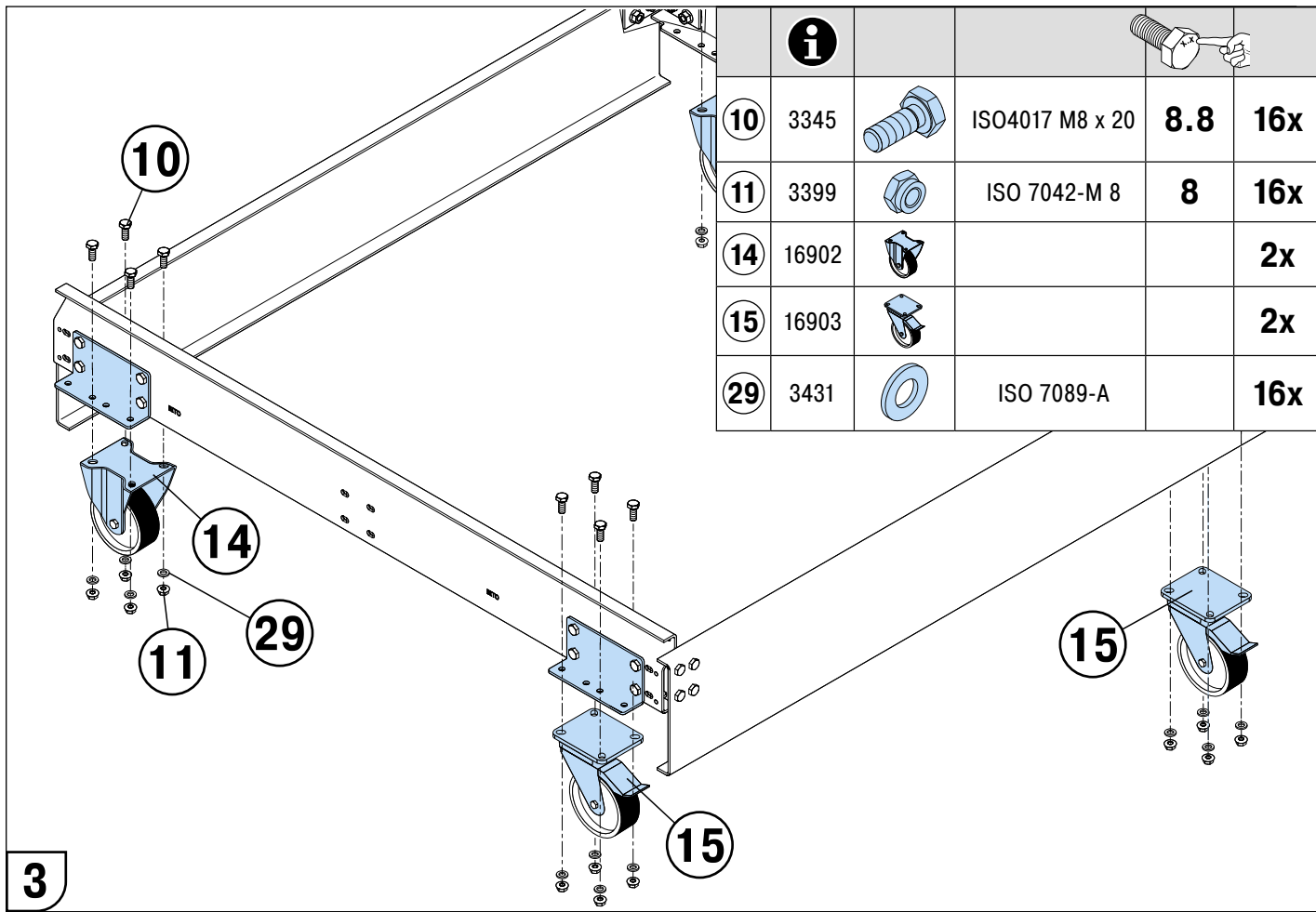
1

	i				
2	40194		Z4 x 129 x 1250		2x
3	25317		80 x 44 x 4		4x
16	3351		ISO4017 M10 x 20	8.8	16x
17	14090		EN 1661-M10	8	16x

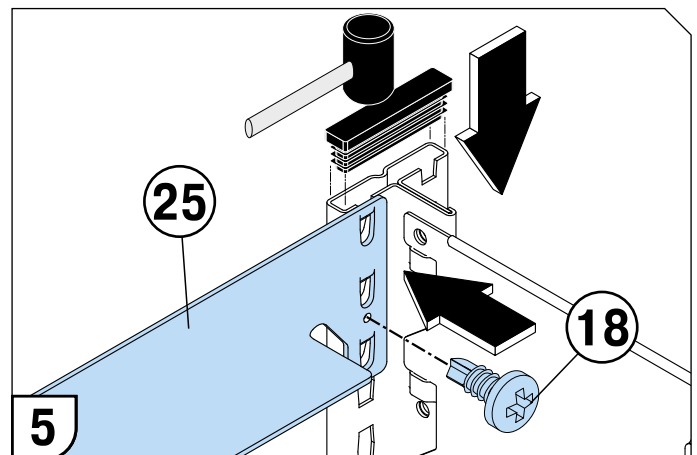
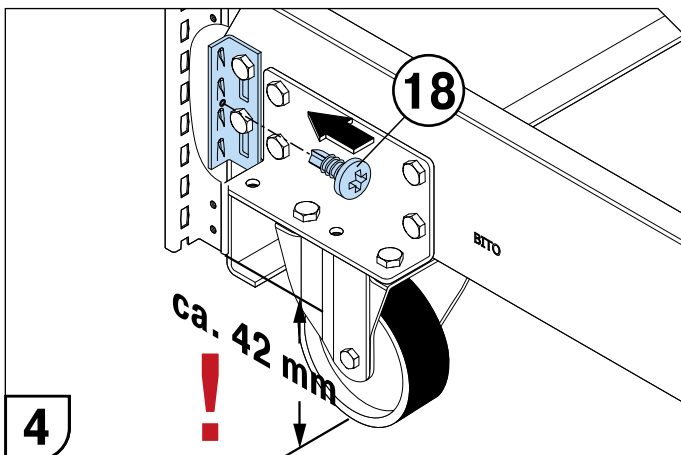
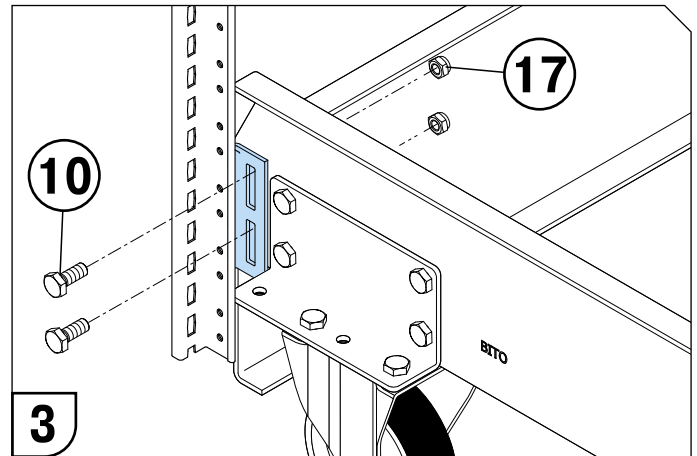
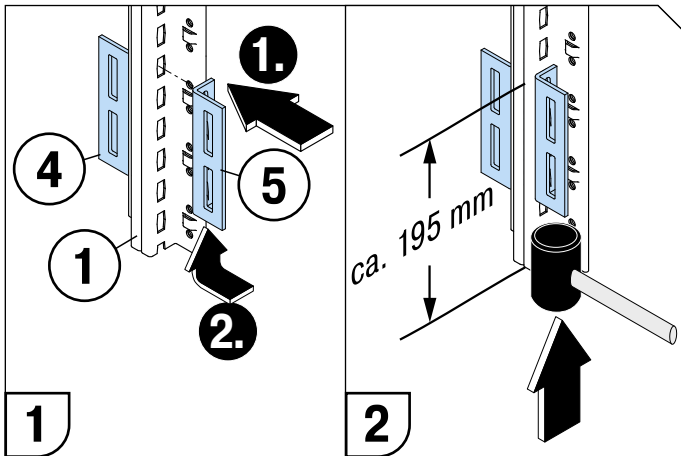


2

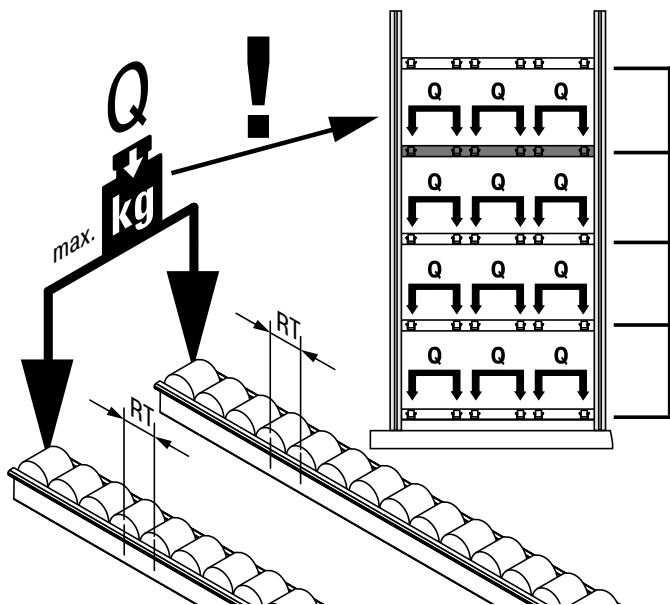
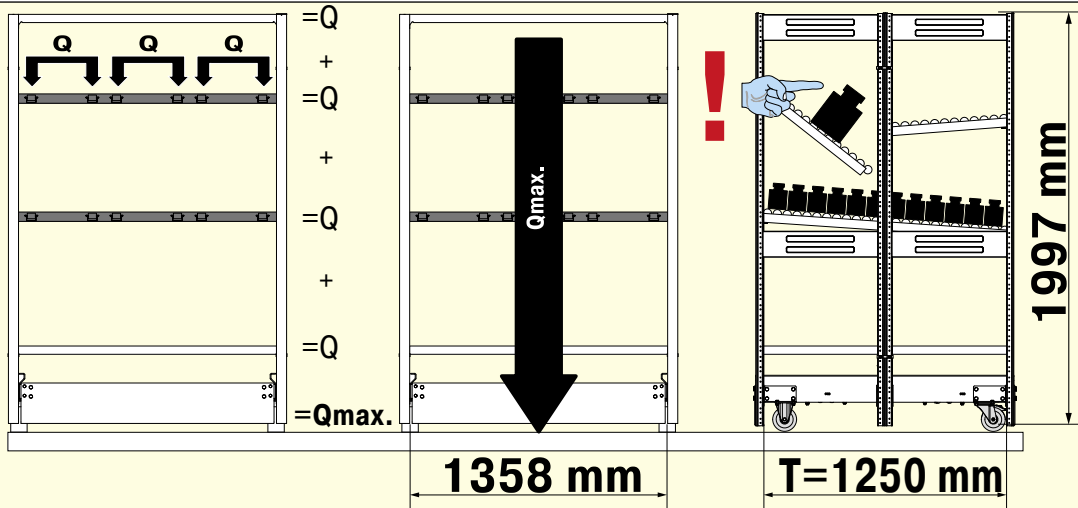
SDS-T direct



i					
1	40197				2x
4	7207				4x
5	7208				4x
10	3345		ISO4017 M8 x 20	8.8	16x
17	14090		EN 1661-M10	8	16x
18	11855		ISO15481		8x
25	7711				2x
28	15969				8x



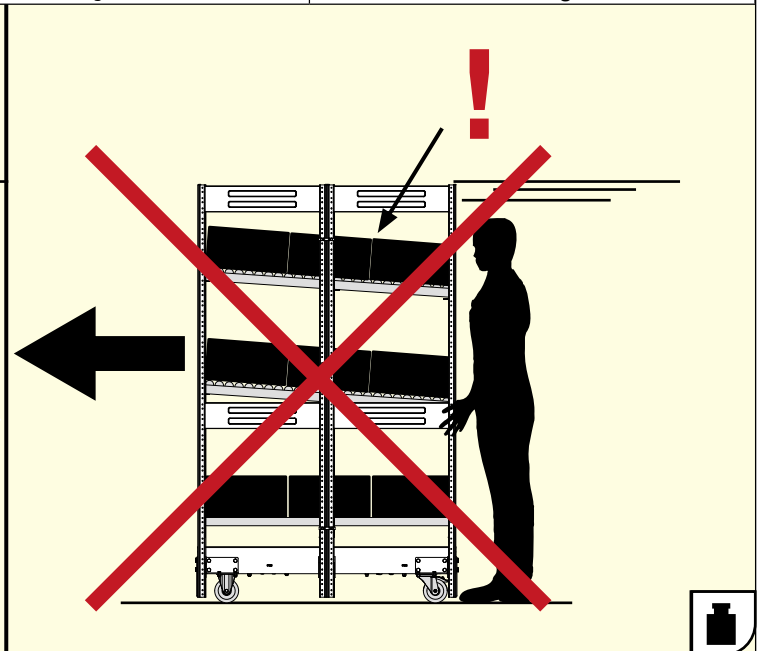
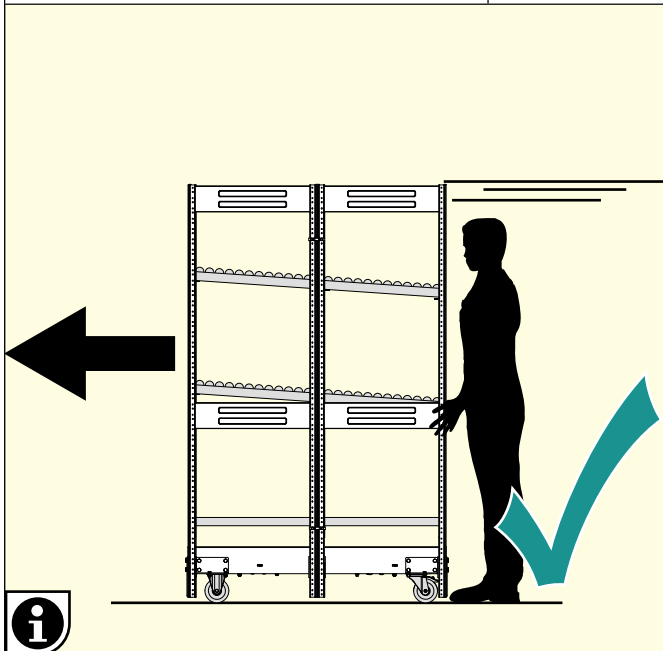
SDS-T direct



! $\Sigma Q \leq Q_{max.}$

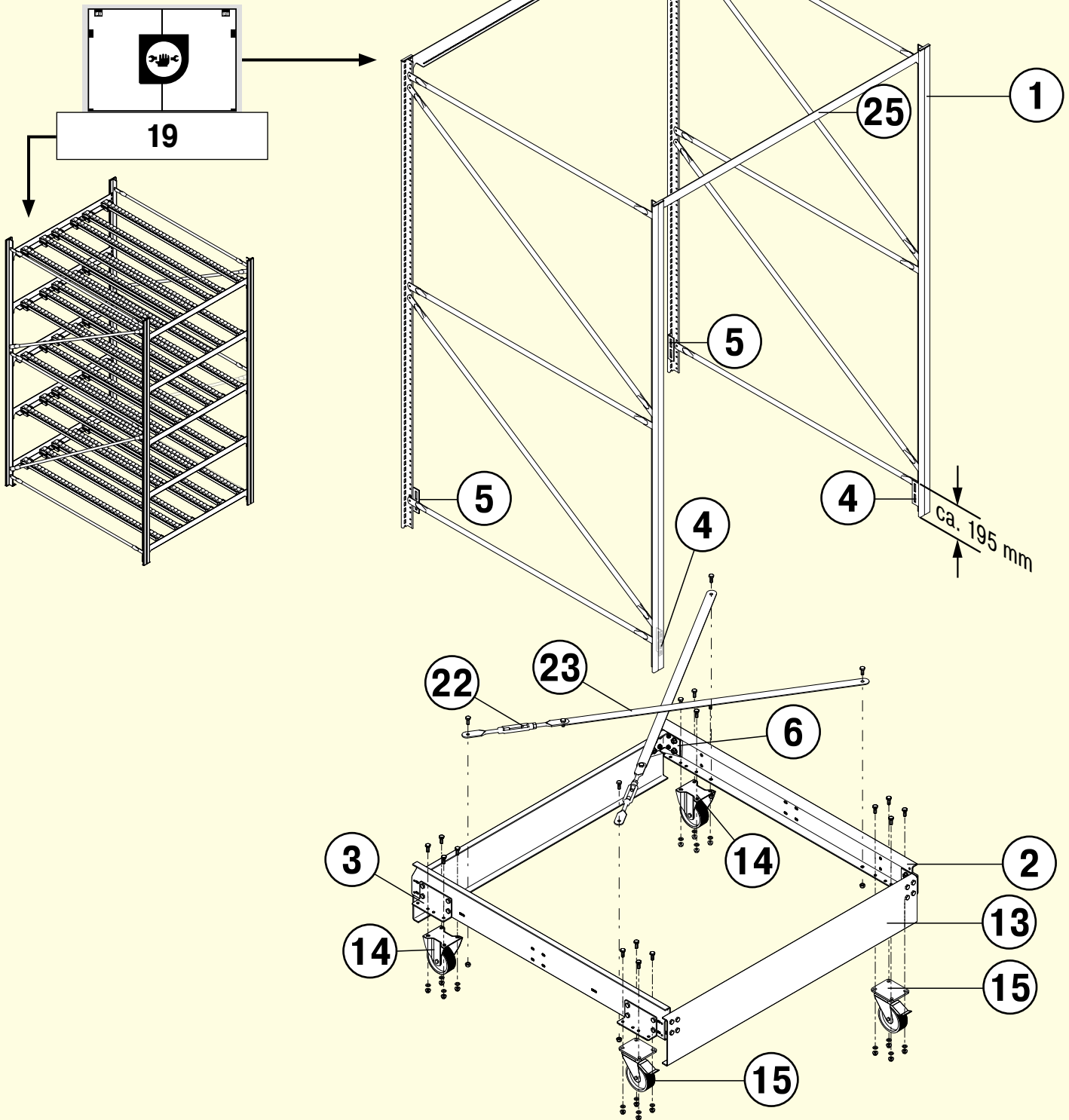
Qmax. = 1 x 1000 kg!

T=TA	max. kg	
	RT 28 mm	RT 42 mm
1.250 mm	50 Kg	50 Kg

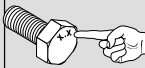
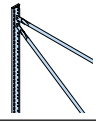
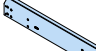

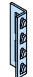



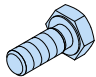




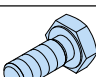
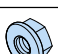
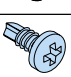







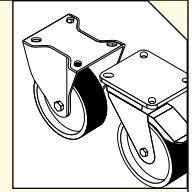
SDS-T solution verfahrbar/mobile

BEREITSTELLREGAL | SUPPLY RACKING

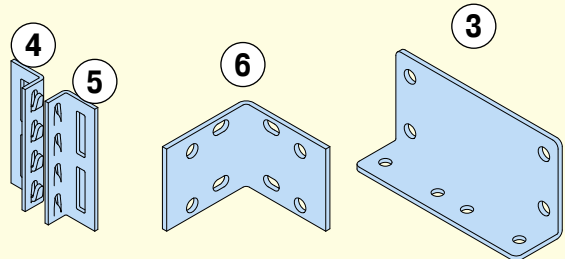


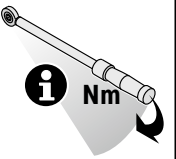
SDS-T solution

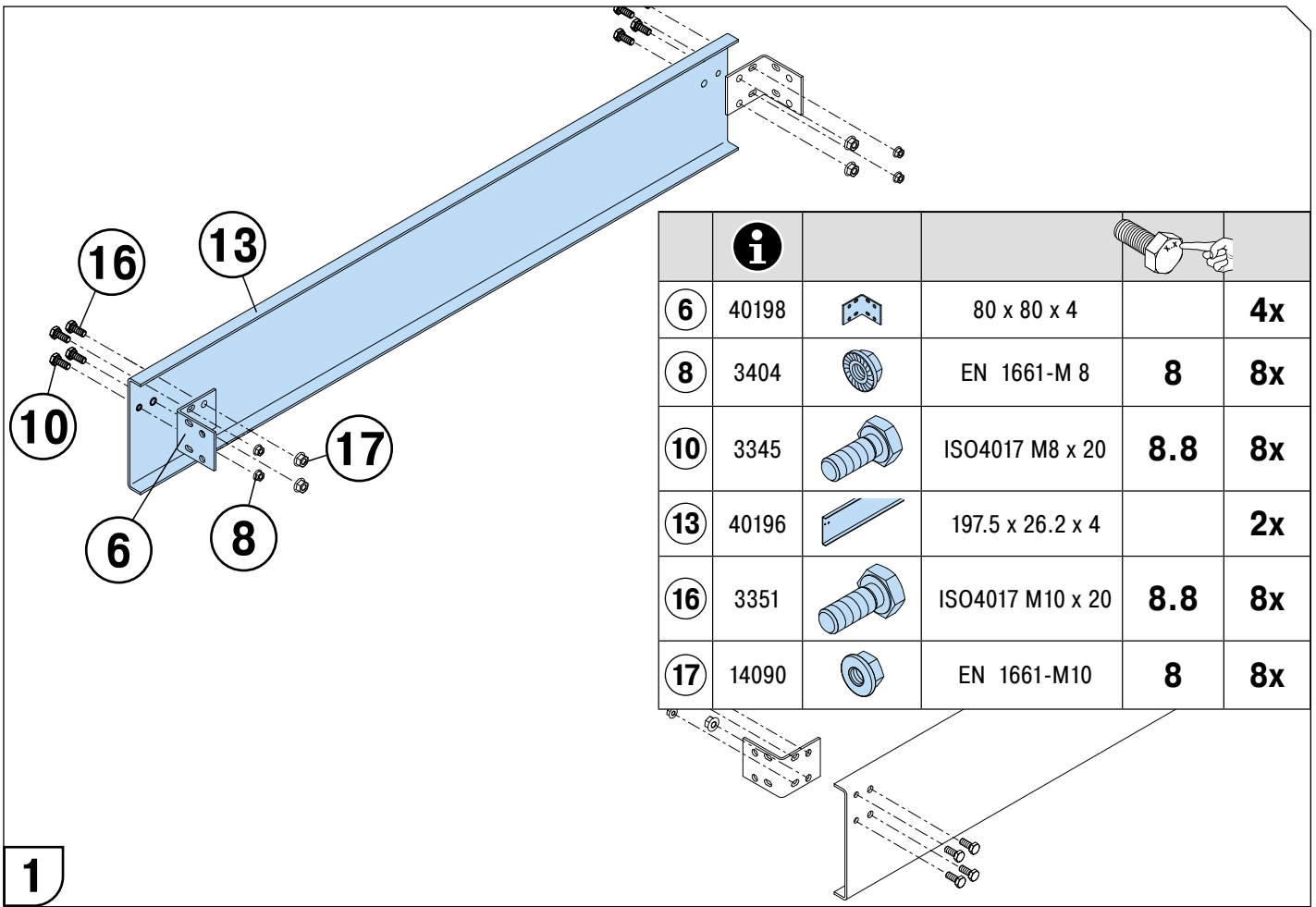
	i				
1	40192				2x
2	40194		Z4 x 129 x 1250		2x
3	25317		80 x 44 x 4		4x
4	7207				2x
5	7208				2x
6	40198		80 x 80 x 4		4x
8	3404		EN 1661-M 8	8	24x
10	3345		ISO4017 M8 x 20	8.8	40x
11	3399		ISO 7042-M 8	8	16x
13	40196		197.5 x 26.2 x 4		2x
14	16902				2x
15	16903				2x
16	3351		ISO4017 M10 x 20	8.8	22x
17	14090		EN 1661-M10	8	24x
18	11855		ISO15481		8x
22	3743				2x
23	25336		35 x 3 x 1256		2x
24	22960		ISO 7042-M10	8	6x
25	7711				10x
29	3431		ISO 7089-A		16x



BEREITSTELLREGAL | SUPPLY RACKING



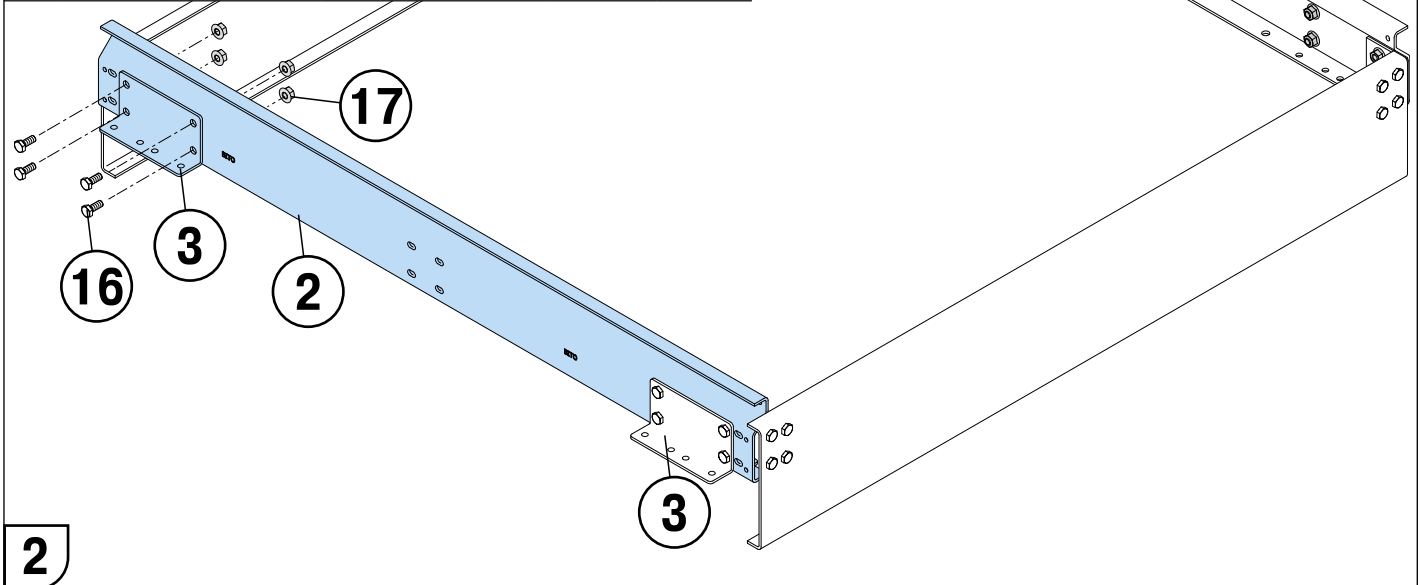
M6-8.8	8 Nm	
M8-8.8	22 Nm	
M10-8.8	45 Nm	
M10-10.9	70 Nm	
M12-8.8	70 Nm	
M12-10.9	110 Nm	



	i				
6	40198		80 x 80 x 4		4x
8	3404		EN 1661-M 8	8	8x
10	3345		ISO4017 M8 x 20	8.8	8x
13	40196		197.5 x 26.2 x 4		2x
16	3351		ISO4017 M10 x 20	8.8	8x
17	14090		EN 1661-M10	8	8x

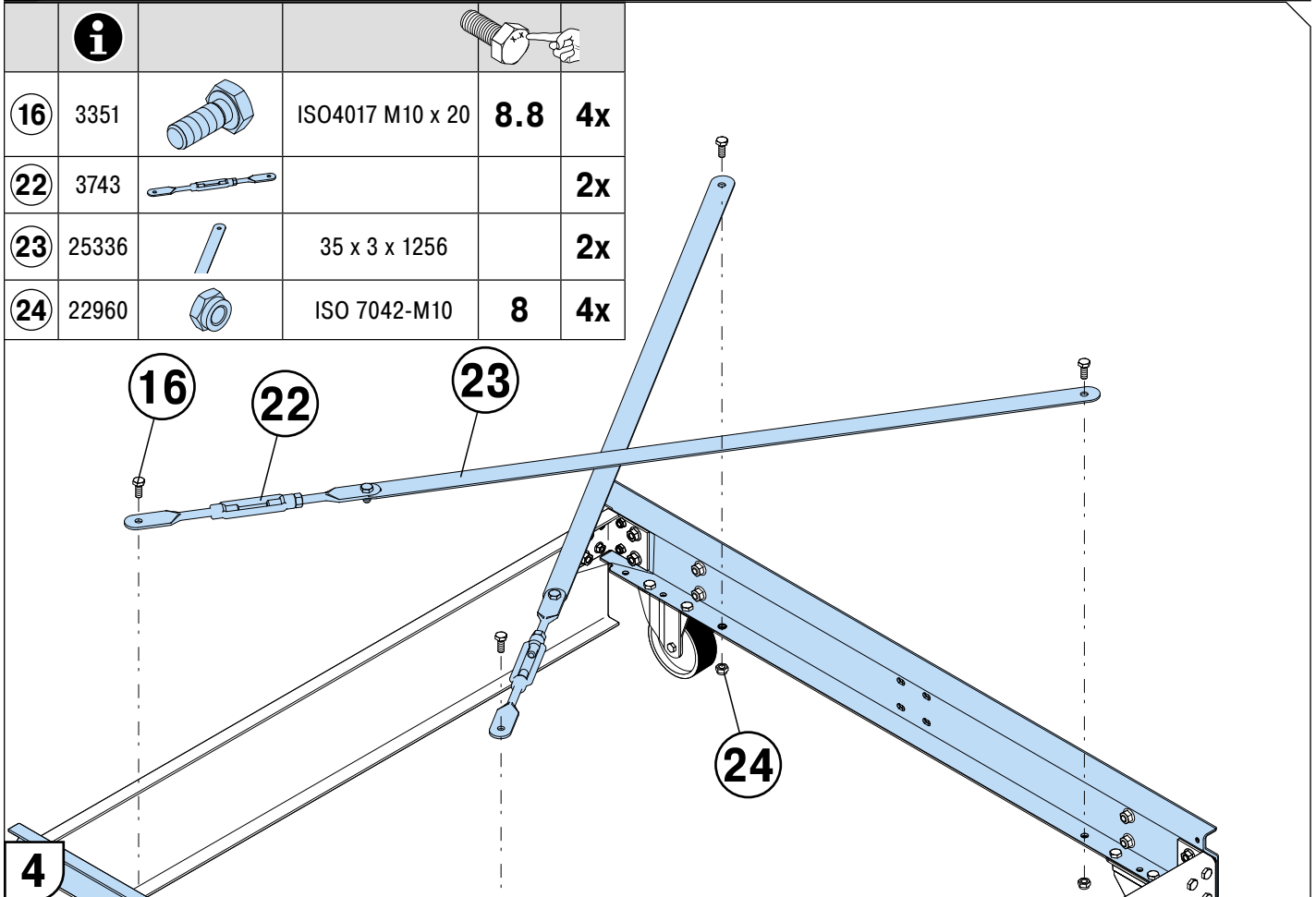
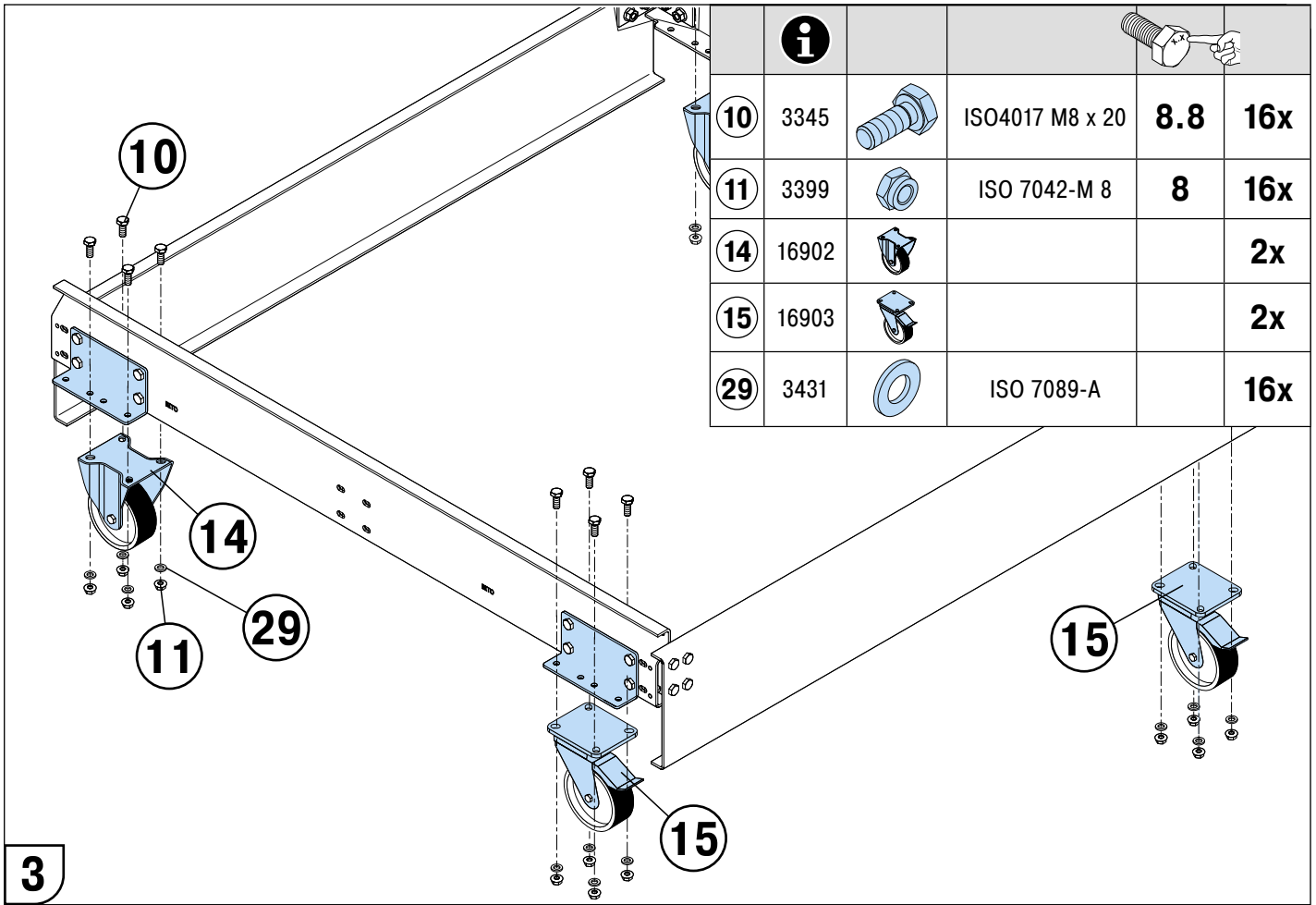
1

	i				
2	40194		Z4 x 129 x 1250		2x
3	25317		80 x 44 x 4		4x
16	3351		ISO4017 M10 x 20	8.8	16x
17	14090		EN 1661-M10	8	16x

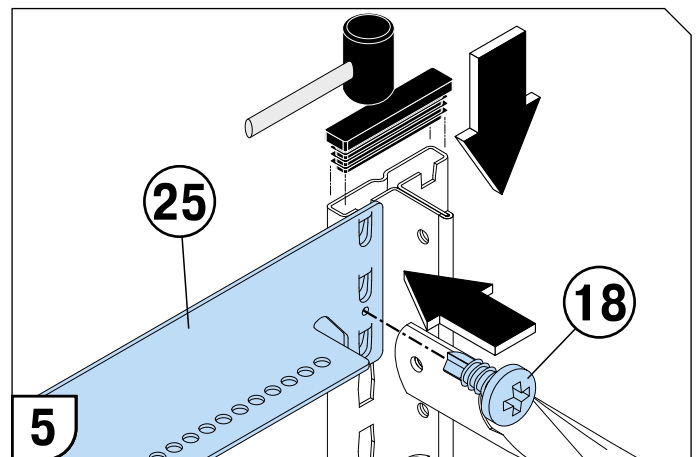
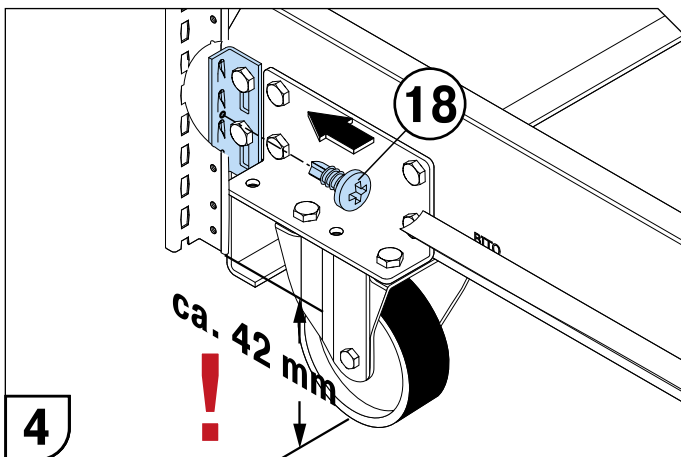
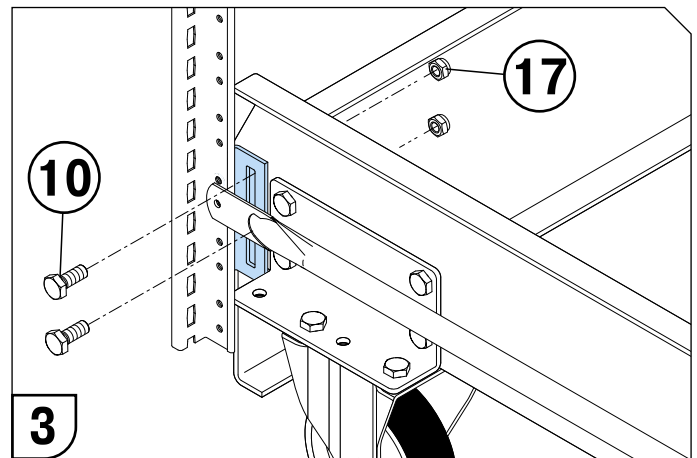
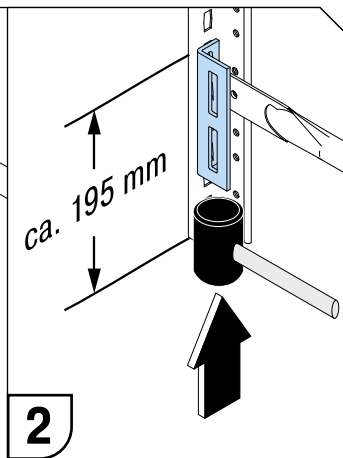
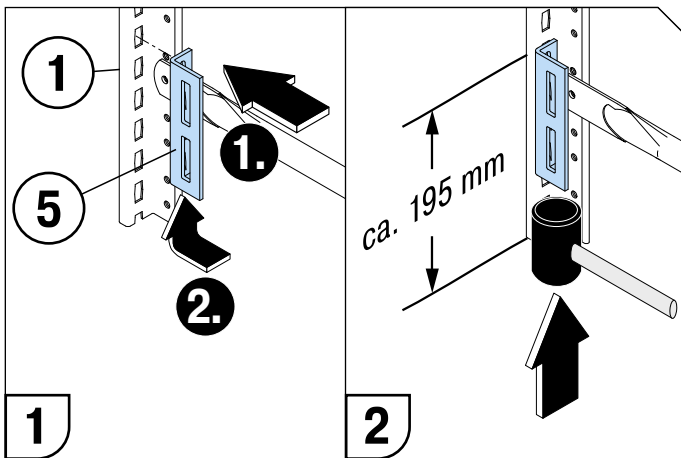


2

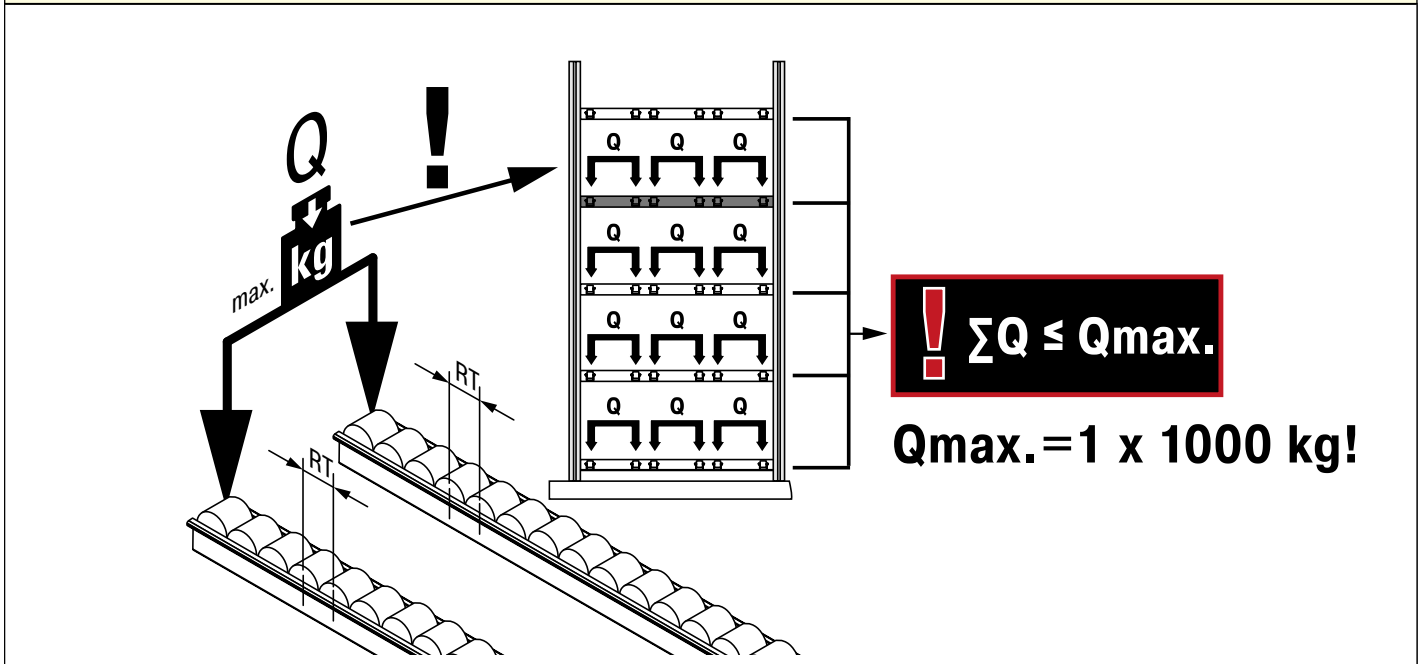
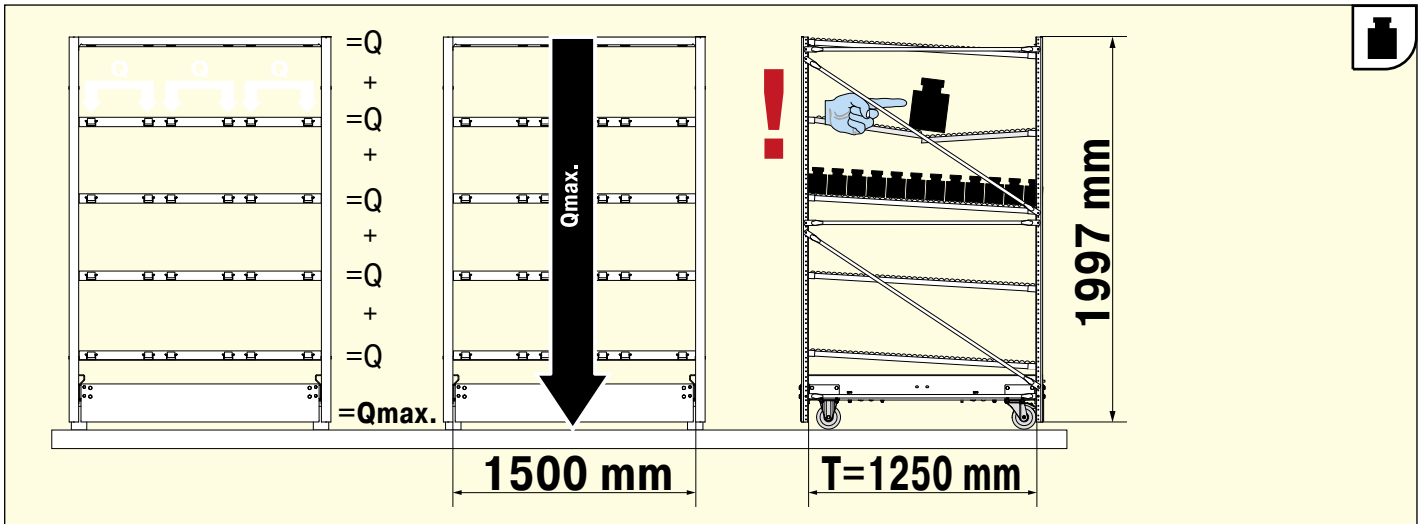
SDS-T solution



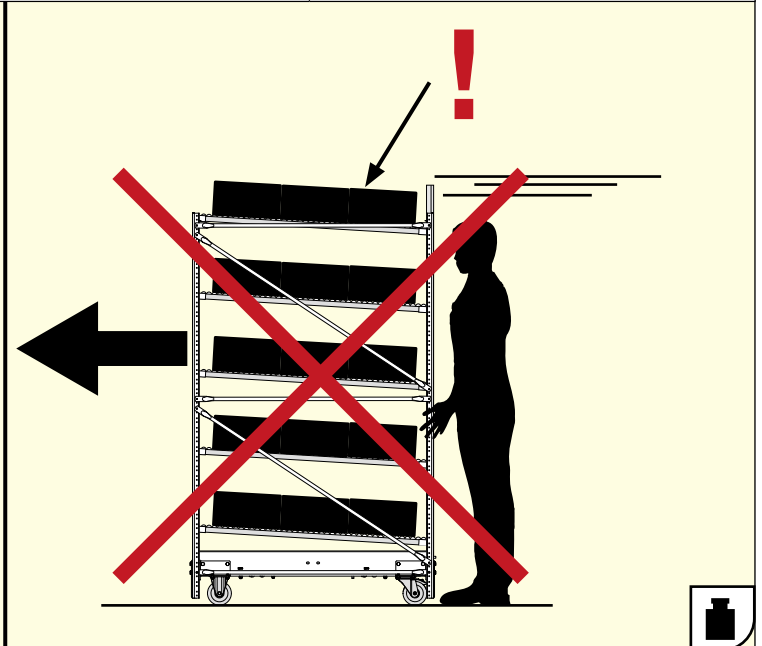
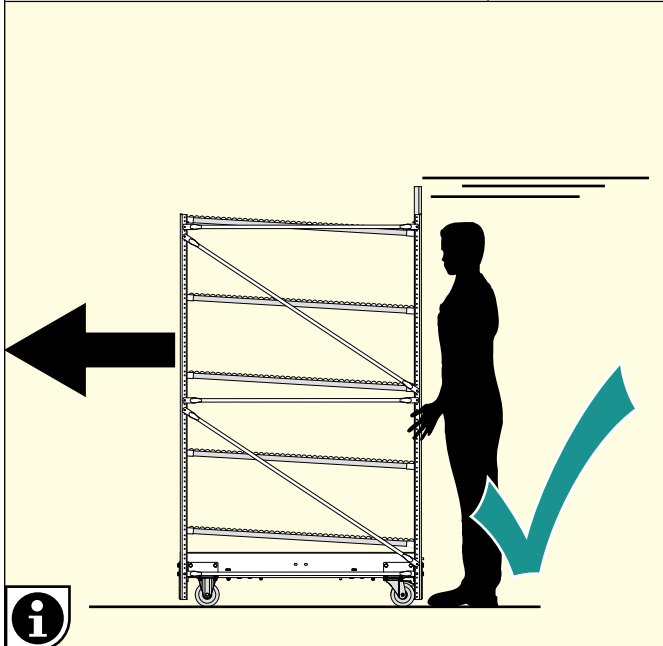
		i				
1	40197					2x
4	7207					4x
5	7208					4x
10	3345		ISO4017 M8 x 20	8.8		16x
17	14090		EN 1661-M10	8		16x
18	11855		ISO15481			8x
25	7711					2x



SDS-T solution



T=TA	max. kg	
	RT 28 mm	RT 42 mm
1.250 mm	50 Kg	50 Kg



**Bereitstellregal
SDS-T direct/solution
Supply racking**

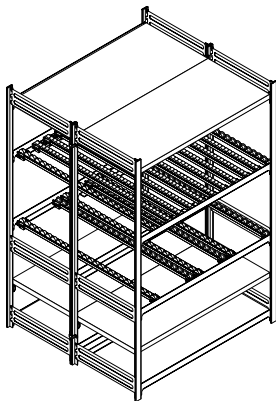
verfahrbar/mobile

#5/2015/ Art.-Nr.: 42635

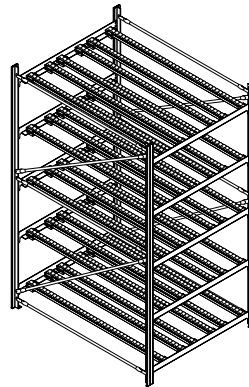
QR-Code



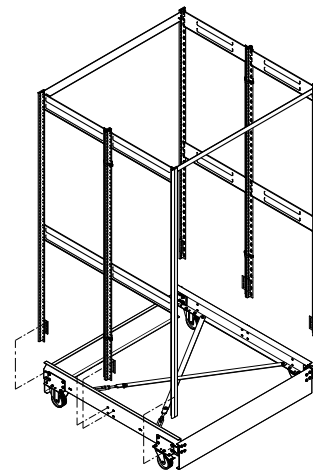
www.bitto.com



direct



solution



direct/solution

Ihre Meinung!
Give your feedback!
feedbackmontage@bitto.com