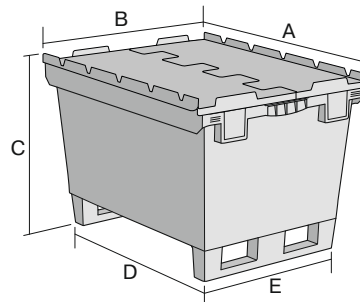


Multi-purpose containers MB with ribbed base, with hinged interlocking lid and fork entry shoes

MBD86321RKUFE | Data sheet



Pos. Dimensions, Tolerances as specified in DIN 16901

Pos.	Dimensions, Tolerances as specified in DIN 16901	
A	Outside length top	800 mm
B	Outside width top	600 mm
C	Height	453 mm

Features	*Load capacity as specified in EN 13117
Proper weight	8.52 kg
*Stacking load	300 kg
*Load capacity	75 kg
Volume	109 Litres
Warranty	5 year BITO QUALITY
ESD	ESD version upon request
Temperature range	-20°C to +90°C
Food safety	✓
Material	PP
Stock item	✓
Pcs/pack	1
Colour	dove blue
Ref. no.	6-15312

Dimensions, Tolerances as specified in DIN 16901	
Outside length top	800 mm
Outside width top	600 mm
Height	453 mm
Inside length top	682 mm
Inside width top	500 mm
Inside height	289 mm

Other colours / special colours on request

Information & Service
www.bito.com

BITO
 STORAGE
 SYSTEMS

Multi-purpose containers MB with ribbed base, with hinged interlocking lid and fork entry shoes

MBD86321RKUFE | Accessories



Security seals

MBP1 - suited for BITOBOX MB
6-10810



Label covers

for multi-purpose containers MB
W 60 x H 80.4 mm
6-15244



Label covers

for multi-purpose containers MB
W 80 x H 80.4 mm
6-15245



Security seals

MBP2 - suited for BITOBOX MB
6-15705



Security seals

MBP2-N - suited for BITOBOX MB,
XL, SL
6-19162



Transport dolly

for multi-purpose containers sized
800 x 400 mm and 800 x 600 mm
L 720 x W 540 mm
6-19439



Locking clips

suited for BITOBOX MB
6-20299