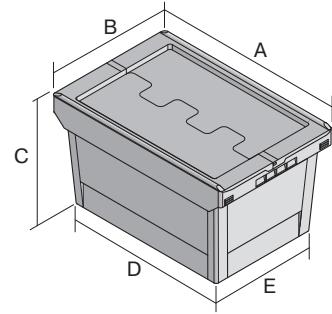


Multi-purpose containers MB, with hinged interlocking lid suited for strap-sealing MBDU64271 | Data sheet



Pos. Dimensions, tolerances as specified in DIN 16901

Pos.	Dimensions, tolerances as specified in DIN 16901	
A	Outside length top	610 mm
B	Outside width top	400 mm
C	Height	299 mm
D	Base length outside	505 mm
E	Base width outside	335 mm

Product features

Weight	3.26 kg
*Stacking load	200 kg
*Load capacity	30 kg
Volume	47 litres
Warranty	5 year BITO QUALITY
ESD	ESD version upon request
Temperature range	-20°C to +80°C
Food safety	✓
Material	PP
Stock item	-
Pcs/pallet	80
Pcs/pack	1
colour	dove blue
Ref. no.	6-16133

Other colours / special colours on request

All written or verbal information about product properties and product application are given to the best of our knowledge. This information is based on our experience and cannot be warranted as the sole binding product properties. It is the customer's responsibility to check whether the ordered goods are suitable for the intended use. All measurements are subject to variations within the scope of the applicable manufacturing tolerances.

* Load capacity data according to EN 13117 refer to an ambient temperature of 23 °C.

Dimensions, tolerances as specified in DIN 16901

Outside length top	610 mm
Outside width top	400 mm
Height	299 mm
Inside length top	540 mm
Inside width top	371 mm
Inside length base	498 mm
Inside width base	329 mm
Useful interior height when stacked	260 mm
Height of stacking rim	65 mm

Printed message

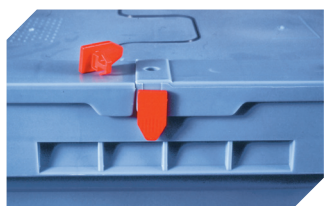
Pad printing area on short side (front)	240 x 100 mm
Pad printing area on short side (rear)	240 x 100 mm
Pad printing area on long side	250 x 100 mm
Screen printing area on short side	210 x 80 mm
Screen printing area on short side (rear)	210 x 80 mm
Screen printing area on long side	380 x 80 mm
Hot foil printing area on short side (front)	240 x 100 mm
Hot foil printing area on short side (rear)	240 x 100 mm
Hot foil printing area on long side	250 x 100 mm
Injection mold printing area on long side	235 x 35 mm

Information & Service
www.bitto.com

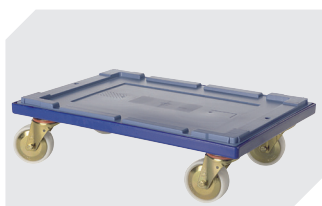
BITO
STORAGE
SYSTEMS

Multi-purpose containers MB, with hinged interlocking lid suited for strap-sealing

MBDU64271 | Accessories



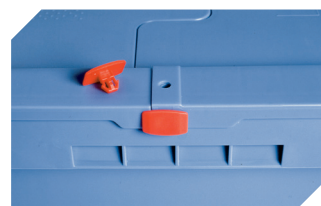
Security seals
MBP1 - suited for BITOBOX MB
6-10810



Transport dollies
for multi-purpose containers sized
600 x 400 mm
L 620 x W 420 mm
6-15510



Connector clips
6-15625



Security seals
MBP2 - suited for BITOBOX MB
6-15705



Security seals
MBP2-L - suited for BITOBOX MB,
XL, SL
6-19162



Locking clips
suited for BITOBOX MB
6-20299



Document pockets
self-adhesive
2 sides open
L 145 x W 100 mm
46-21108



Barcoded security seals
MBP3 - suited for BITOBOX MBs in all
sizes and XLs 800 x 600 mm
6-31550



Document pockets
self-adhesive
3 sides open
L 175 x W 105 mm
6-5031