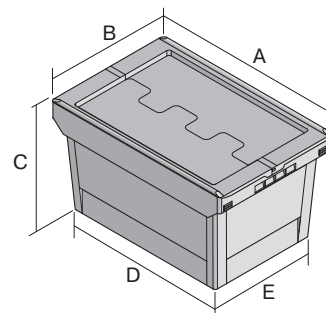


# Multi-purpose containers MB with double base, PVC castors and hinged interlocking lid MBD86321DROLL-K | Data sheet



Pos. Dimensions, tolerances as specified in DIN 16901

A	Outside length top	800 mm
B	Outside width top	600 mm
C	Height	453 mm

Product features \*Load capacity as specified in EN 13117

Weight	9.04 kg
*Stacking load	200 kg
*Load capacity	50 kg
Volume	114 litres
Warranty	5 year BITO QUALITY
ESD	No
Temperature range	-20°C to +80°C
Food safety	✓
Material	PP
Stock item	✓
Pcs/pack	1
colour	dove blue
Ref. no.	6-19487

Other colours / special colours on request

Dimensions, tolerances as specified in DIN 16901

Outside length top	800 mm
Outside width top	600 mm
Height	453 mm

Information & Service  
[www.bitto.com](http://www.bitto.com)

**BITO**  
STORAGE  
SYSTEMS

# Multi-purpose containers MB with double base, PVC castors and hinged interlocking lid **MBD86321DROLL-K** | Accessories



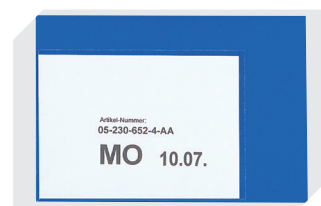
**Label covers**  
for multi-purpose containers MB  
W 60 x H 80.4 mm  
**6-15244**



**Connector clips**  
**6-15625**



**Transport dollies**  
for multi-purpose containers sized  
800 x 400 mm and 800 x 600 mm  
L 720 x W 540 mm  
**6-19439**



**Document pockets**  
self-adhesive  
2 sides open  
L 145 x W 100 mm  
**46-21108**



**Document pockets**  
self-adhesive  
3 sides open  
L 175 x W 105 mm  
**6-5031**

Information & Service  
**www.bito.com**

**BITO**  
S T O R A G E  
S Y S T E M S